

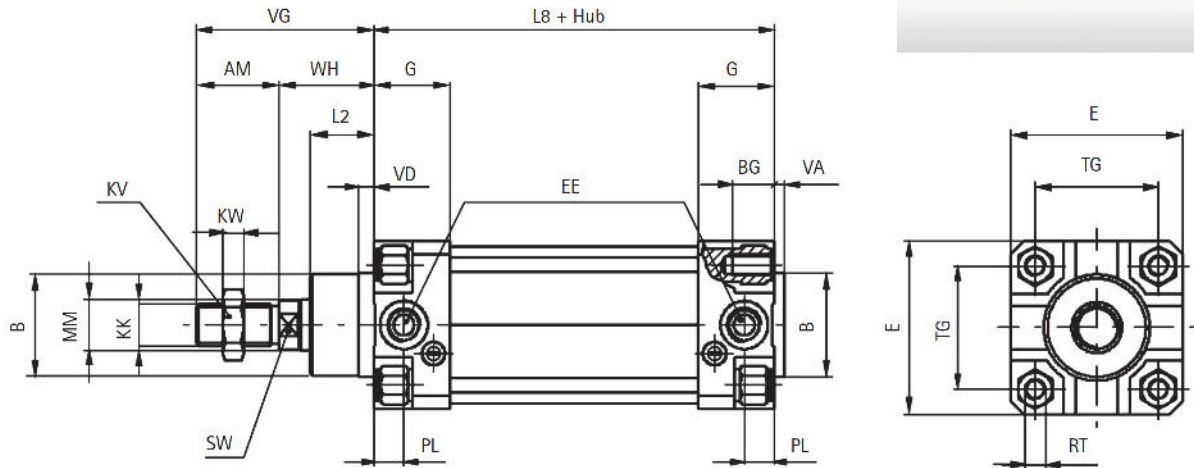


# WINKLER STIEFEL

Kompressoren · Hydraulik · Pneumatik

## PNEUMATIKZYLINDER ISO 6431 UND VDMA 24562

TYP 1319 - 1321



### Abmessung

Bohrung	32	40	50	63	80	100	125	160	200	
AM	22	24	32	32	40	40	54	72	72	
B (d 11)	30	35	40	45	45	55	60	65	75	
BG	12	12	16	16	20	20	20	24	24	
E	46	52	65	75	95	115	140	180	220	
EE	G 1/8"	G 1/4"	G 1/4"	G 3/8"	G 3/8"	G 1/2"	G 1/2"	G 3/4"	G 3/4"	
G	25	29	29,5	36	36	40	45	49	49	
KK	M10X1,25	M12X1,25	M16x1,5	M16x1,5	M20x1,5	M20x1,5	M27x2	M36x2	M36x2	
KV	17	19	24	24	30	30	41	55	55	
KW	6	7	8	8	9	9	12	18	18	
L 2	16	20	25	25	32	35	45	50	60	
L 8 *	94	105	106	121	128	138	160	180	180	
MM	12	16	20	20	25	25	32	40	40	
PL	9	11,5	13	14	16	18	19	24	25	
RT	M6	M6	M8	M8	M10	M10	M12	M16	M16	
SW	10	13	17	17	22	22	27	32	32	
TG	32,5	38	46,5	56,5	72	89	110	140	175	
VA	4	4	4	4	4	4	6	5	5	
VB	25	30	40	40	50	50	75	70	75	
VD	5	6	6	6	10	10	12	10	10	
VF	12	12	16	16	20	20	25	30	30	
VG	48	54	69	69	86	91	119	152	167	
WH	26	30	37	37	46	51	65	80	95	
Gewicht g.	Hub 0	480	730	1150	1600	2800	3600	7800	15000	21500
	je 10 mm	25	32	56	60	90	100	140	265	325

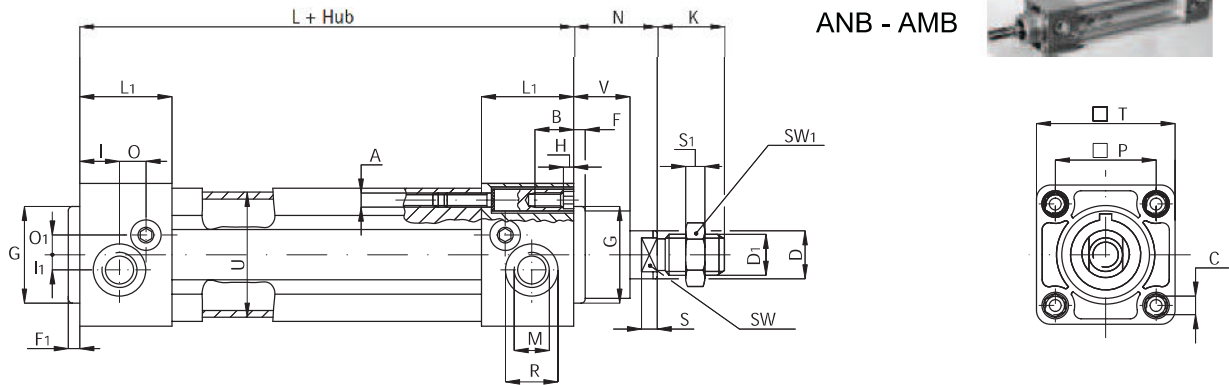


## PNEUMATIKZYLINDER ISO 6431 UND VDMA 24562

ANC - AMC



ANB - AMB



Maßtabelle

Ømm	D	D <sub>1</sub>	G	K	N	V	L <sub>1</sub>	F <sub>1</sub>	C	S	L	T	P	A	M	B	H	I	F	U	U <sub>1</sub>	R	O	O <sub>1</sub>	I <sub>1</sub>	SW	SW <sub>1</sub>	S <sub>1</sub>
32	12	M10x1,25	30	22	26	16	33		M6	6	94±0,4	47	32,5±0,5	M6	G 1/8"	5	14	4	36	38	15	11	4,5	5	10	17	5	
40	16	M12x1,25	35	24	30	20	33,5			6,5	105±0,7	52	38±0,5							38	45	45	19	10	7	6	13	19
50	20	M16x1,5	40	32	37	25	34	4	M8	8	106±0,7	65	46,5±0,6	M8	16	6	20	4	68	68	26	8	12,5	9,5	17	24	8	
63			45								121±0,8	75	56,5±0,7						86	86	13,5	86	86					30
80	25	M20x1,5	40	51	35	41,5	M10	10	128±0,8	95	72±0,7	M10	G 3/8"	6	25	106	107	30	6	17	12	27	41	13,5				
100			55						138±1	115	89±0,7														106	107	30	6
125	32	M27x2	60	54	65	40	45	5	M12	13	160±1	140	110±1,1	M12	G 1/2"	20	8	30	5	132	132	30	3	17	12	27	41	13,5

**Auslaufmodell!**

**Nur noch in Durchmesser 32;50 und 125mm lieferbar**

1200.08.01	1304.50.100.01A	1301.63.25.01A	1332.100.180.01R	1400.40.1300.02.2
1200.08.02	1304.50.1000.01	1301.63.250.01	1332.100.270.01	1400.99.01
1200.08.03	1304.50.1000.01A	1301.63.250.01A	1332.100.360.01	1450.100.A.0.0
1200.08.04/1	1304.50.125.01	1301.63.300.01	1332.100.360.01R	1450.100.A.0.A
1200.08.05	1304.50.125.01A	1301.63.300.01A	1332.100.90.01	1450.100.A.0.D
1200.08.140	1304.50.150.01	1301.63.320.01	1332.32.180.01	1450.100.A.A.0
1200.10.01	1304.50.150.01A	1301.63.320.01A	1332.32.180.01R	1450.100.A.A.A
1200.10.02	1304.50.160.01	1301.63.350.01	1332.32.270.01	1450.100.A.D.0
1200.10.03	1304.50.160.01A	1301.63.350.01A	1332.32.270.01R	1450.100.A.D.D
1200.10.04	1304.50.200.01	1301.63.40.01	1332.32.360.01	1450.100.B.0.0
1200.10.04/1	1304.50.200.01A	1301.63.400.01	1332.32.360.01R	1450.100.B.0.B
1200.10.05	1304.50.25.01	1301.63.400.01A	1332.32.90.01	1450.100.B.0.E
1200.12.01	1304.50.25.01A	1301.63.450.01	1332.32.90.01R	1450.100.B.B.0
1200.12.02	1304.50.250.01	1301.63.450.01A	1332.40.120.01R	1450.100.B.B.B
1200.12.03	1304.50.250.01A	1301.63.50.01	1332.40.180.01	1450.100.B.E.0
1200.12.04	1304.50.300.01	1301.63.50.01A	1332.40.180.01R	1450.100.B.E.E
1200.12.04/1	1304.50.300.01A	1301.63.500.01	1332.40.270.01	1450.100.D.0.0
1200.12.05	1304.50.320.01	1301.63.500.01A	1332.40.360.01	1450.100.D.0.C
1200.12.33F	1304.50.320.01A	1301.63.600.01	1332.40.360.01R	1450.100.D.0.F
1200.16.01	1304.50.350.01	1301.63.600.01A	1332.40.60.01R	1450.100.D.C.0
1200.16.01X	1304.50.350.01A	1301.63.700.01	1332.40.90.01	1450.100.D.C.C
1200.16.02	1304.50.400.01	1301.63.700.01A	1332.40.90.01R	1450.100.D.F.0
1200.16.02X	1304.50.400.01A	1301.63.75.01	1332.50.180.01	1450.100.D.F.F
1200.16.03	1304.50.450.01	1301.63.75.01A	1332.50.180.01R	1450.150.A.0.0
1200.16.03X	1304.50.450.01A	1301.63.80.01	1332.50.270.01	1450.150.A.0.A
1200.16.04	1304.50.50.01	1301.63.80.01A	1332.50.360.01	1450.150.A.0.D
1200.16.04/1	1304.50.50.01A	1301.63.800.01	1332.50.360.01R	1450.150.A.A.0
1200.16.04X	1304.50.500.01	1301.63.800.01A	1332.50.45.01R	1450.150.A.A.A
1200.16.05	1304.50.500.01A	1301.63.900.01	1332.50.90.01	1450.150.A.D.0
1200.16.05X	1304.50.600.01	1301.63.900.01A	1332.50.90.01R	1450.150.A.D.D
1200.16.33F	1304.50.600.01A	1301.80.03F	1332.63.180.01	1450.150.B.0.0
1200.20.01	1304.50.700.01	1301.80.04F	1332.63.180.01R	1450.150.B.0.B
1200.20.01X	1304.50.700.01A	1301.80.05F	1332.63.270.01	1450.150.B.0.E
1200.20.02	1304.50.715.01	1301.80.08F	1332.63.360.01	1450.150.B.B.0
1200.20.02X	1304.50.80.01	1301.80.09/1F	1332.63.360.01R	1450.150.B.B.B
1200.20.03	1304.50.800.01	1301.80.09F	1332.63.90.01	1450.150.B.E.0
1200.20.03X	1304.50.800.01A	1301.80.100.01	1332.63.90.01R	1450.150.B.E.E
1200.20.04	1304.50.900.01	1301.80.100.01A	1332.80.180.01	1450.150.D.0.0
1200.20.04/1	1304.50.900.01A	1301.80.100.TC.01	1332.80.180.01R	1450.150.D.0.C
1200.20.04X	1304.63.03F	1301.80.1000.01	1332.80.270.01	1450.150.D.0.F
1200.20.05	1304.63.04F	1301.80.1000.01A	1332.80.270.01R	1450.150.D.C.0
1200.20.05X	1304.63.05F	1301.80.125.01	1332.80.360.01	1450.150.D.C.C
1200.20.06	1304.63.08F	1301.80.125.01A	1332.80.360.01R	1450.150.D.F.0
1200.20.33F	1304.63.09/1F	1301.80.13/1F	1332.80.90.01	1450.150.D.F.F
1200.25.01	1304.63.09F	1301.80.13F	1332.80.90.01R	1450.200.A.0.0
1200.25.01X	1304.63.100.01	1301.80.150.01	1333.100.180.01	1450.200.A.0.A
1200.25.02	1304.63.100.01A	1301.80.150.01A	1333.100.270.01	1450.200.A.0.D
1200.25.02X	1304.63.1000.01	1301.80.160.01	1333.100.360.01	1450.200.A.A.0
1200.25.03	1304.63.1000.01A	1301.80.160.01A	1333.100.90.01	1450.200.A.A.A
1200.25.03X	1304.63.105.01	1301.80.18F	1333.32.180.01	1450.200.A.D.0
1200.25.04/1	1304.63.125.01	1301.80.200.01	1333.32.270.01	1450.200.A.D.D
1200.25.04X	1304.63.125.01A	1301.80.200.01A	1333.32.360.01	1450.200.B.0.0
1200.25.05	1304.63.150.01	1301.80.25.01A	1333.32.90.01	1450.200.B.0.B

1200.25.05X	1304.63.150.01A	1301.80.25.TC.01	1333.32.90.01R	1450.200.B.0.E
1200.32.01	1304.63.160.01	1301.80.250.01	1333.40.180.01	1450.200.B.B.0
1200.32.01X	1304.63.160.01A	1301.80.250.01A	1333.40.270.01	1450.200.B.B.B
1200.32.02	1304.63.200.01	1301.80.300.01	1333.40.360.01	1450.200.B.E.0
1200.32.02X	1304.63.200.01A	1301.80.300.01A	1333.40.90.01	1450.200.B.E.E
1200.32.03	1304.63.25.01	1301.80.320.01	1333.50.180.01	1450.200.D.0.0
1200.32.03X	1304.63.25.01A	1301.80.320.01A	1333.50.180.01R	1450.200.D.0.C
1200.32.04	1304.63.250.01	1301.80.350.01	1333.50.270.01	1450.200.D.0.F
1200.32.04/1	1304.63.250.01A	1301.80.350.01A	1333.50.360.01	1450.200.D.C.0
1200.32.04X	1304.63.300.01	1301.80.400.01	1333.50.90.01	1450.200.D.C.C
1200.32.05	1304.63.300.01A	1301.80.400.01A	1333.63.180.01	1450.200.D.F.0
1200.32.05X	1304.63.320.01	1301.80.450.01	1333.63.270.01	1450.200.D.F.F
1200.40.01	1304.63.320.01A	1301.80.450.01A	1333.63.360.01	1450.250.A.0.0
1200.40.02	1304.63.350.01	1301.80.50.01	1333.63.360.01R	1450.250.A.0.A
1200.40.03	1304.63.350.01A	1301.80.50.01A	1333.63.90.01	1450.250.A.0.D
1200.40.04	1304.63.400.01	1301.80.500.01	1333.80.180.01	1450.250.A.A.0
1200.40.04/1	1304.63.400.01A	1301.80.500.01A	1333.80.270.01	1450.250.A.A.A
1200.40.05	1304.63.450.01	1301.80.600.01	1333.80.360.01	1450.250.A.D.0
1200.40.06	1304.63.450.01A	1301.80.600.01A	1333.80.90.01	1450.250.A.D.D
1200.50.01	1304.63.50.01	1301.80.700.01	1345.40.70.01	1450.250.B.0.0
1200.50.02	1304.63.50.01A	1301.80.700.01A	1345.80.100.01	1450.250.B.0.B
1200.50.03	1304.63.500.01	1301.80.75.01	1347.100.100.01	1450.250.B.0.E
1200.50.04	1304.63.500.01A	1301.80.75.01A	1347.40.150.01	1450.250.B.B.0
1200.50.04/1	1304.63.600.01	1301.80.80.01	1347.50.150.01	1450.250.B.B.B
1200.50.05	1304.63.600.01A	1301.80.80.01A	1348.32.10.01	1450.250.B.E.0
1200.50.06	1304.63.700.01	1301.80.800.01	1348.32.100.01	1450.250.B.E.E
1213.10.10	1304.63.700.01A	1301.80.800.01A	1348.32.120.01	1450.250.D.0.0
1213.10.10.C	1304.63.75.01	1301.80.85.01	1348.32.125.01	1450.250.D.0.C
1213.10.10.CF	1304.63.75.01A	1301.80.90.01A	1348.32.150.01	1450.250.D.0.F
1213.10.15.C	1304.63.80.01	1301.80.900.01	1348.32.160.01	1450.250.D.C.0
1213.10.15.CF	1304.63.80.01A	1301.80.900.01A	1348.32.200.01	1450.250.D.C.C
1213.10.3	1304.63.800.01	1302.100.100.01	1348.32.230.01	1450.250.D.F.0
1213.10.5	1304.63.800.01A	1302.100.100.01A	1348.32.25.01	1450.250.D.F.F
1213.10.5.C	1304.63.900.01	1302.100.1000.01	1348.32.250.01	1450.300.A.0.0
1213.10.5.CF	1304.63.900.01A	1302.100.1000.01A	1348.32.300.01	1450.300.A.0.A
1213.16.10.C	1304.80.03F	1302.100.125.01	1348.32.350.01	1450.300.A.0.D
1213.16.10.CF	1304.80.04F	1302.100.125.01A	1348.32.40.01	1450.300.A.A.0
1213.16.15.C	1304.80.05F	1302.100.13/1F	1348.32.440.01	1450.300.A.A.A
1213.16.15.CF	1304.80.08F	1302.100.13F	1348.32.50.01	1450.300.A.D.0
1213.16.5.C	1304.80.09/1F	1302.100.145.02	1348.32.500.01	1450.300.A.D.D
1213.16.5.CF	1304.80.09F	1302.100.150.01	1348.32.600.01	1450.300.B.0.0
1213.6.10	1304.80.100.01	1302.100.150.01A	1348.32.75.01	1450.300.B.0.B
1213.6.10.C	1304.80.100.01A	1302.100.160.01	1348.32.80.01	1450.300.B.0.E
1213.6.10.CF	1304.80.1000.01	1302.100.160.01A	1348.40.100.01	1450.300.B.B.0
1213.6.15.C	1304.80.1000.01A	1302.100.18F	1348.40.1000.01	1450.300.B.B.B
1213.6.15.CF	1304.80.125.01	1302.100.200.01	1348.40.125.01	1450.300.B.E.0
1213.6.20	1304.80.125.01A	1302.100.200.01A	1348.40.150.01	1450.300.B.E.E
1213.6.5	1304.80.150.01	1302.100.200.01V	1348.40.1500.01	1450.300.D.0.0
1213.6.5.C	1304.80.150.01A	1302.100.25.01	1348.40.160.01	1450.300.D.0.C
1213.6.5.CF	1304.80.160.01	1302.100.25.01A	1348.40.20.02	1450.300.D.0.F
1213.8.5	1304.80.160.01A	1302.100.250.01	1348.40.200.01	1450.300.D.C.0
1230.12.100	1304.80.200.01	1302.100.250.01A	1348.40.200.02	1450.300.D.C.C
1230.12.100.M	1304.80.200.01A	1302.100.300.01	1348.40.25.01	1450.300.D.F.0

1230.12.125	1304.80.25.01	1302.100.300.01.TC	1348.40.250.01	1450.300.D.F.F
1230.12.125.M	1304.80.25.01A	1302.100.300.01A	1348.40.300.01	1450.350.A.0.0
1230.12.15	1304.80.250.01	1302.100.320.01	1348.40.350.01	1450.350.A.0.A
1230.12.15.M	1304.80.250.01A	1302.100.320.01.TC	1348.40.400.01	1450.350.A.0.D
1230.12.150	1304.80.300.01	1302.100.320.01A	1348.40.450.01	1450.350.A.A.0
1230.12.150.M	1304.80.300.01A	1302.100.350.01	1348.40.50.01	1450.350.A.A.A
1230.12.25	1304.80.320.01	1302.100.350.01A	1348.40.500.01	1450.350.A.D.0
1230.12.25.M	1304.80.320.01A	1302.100.400.01	1348.40.75.01	1450.350.A.D.D
1230.12.50	1304.80.350.01	1302.100.400.01A	1348.40.80.01	1450.350.B.0.0
1230.12.50.M	1304.80.350.01A	1302.100.450.01	1348.40.800.01	1450.350.B.0.B
1230.12.75	1304.80.400.01	1302.100.450.01A	1348.50.100.01	1450.350.B.0.E
1230.12.75.M	1304.80.400.01A	1302.100.50.01	1348.50.1100.01	1450.350.B.B.0
1230.12.80	1304.80.450.01	1302.100.50.01A	1348.50.1200.01	1450.350.B.B.B
1230.12.80.M	1304.80.450.01A	1302.100.500.01	1348.50.125.01	1450.350.B.E.0
1230.16.10.M	1304.80.50.01	1302.100.500.01A	1348.50.145.01	1450.350.B.E.E
1230.16.100	1304.80.50.01A	1302.100.600.01	1348.50.150.01	1450.350.D.0.0
1230.16.100.M	1304.80.500.01	1302.100.600.01A	1348.50.1500.01	1450.350.D.0.C
1230.16.125	1304.80.500.01A	1302.100.70.01	1348.50.160.01	1450.350.D.0.F
1230.16.125.M	1304.80.600.01	1302.100.700.01	1348.50.1600.01	1450.350.D.C.0
1230.16.15	1304.80.600.01A	1302.100.700.01A	1348.50.1750.01	1450.350.D.C.C
1230.16.15.M	1304.80.700.01	1302.100.75.01	1348.50.200.01	1450.350.D.F.0
1230.16.150	1304.80.700.01A	1302.100.75.01A	1348.50.2000.01	1450.350.D.F.F
1230.16.150.M	1304.80.75.01	1302.100.80.01	1348.50.25.01	1450.400.A.0.0
1230.16.25	1304.80.75.01A	1302.100.80.01A	1348.50.250.01	1450.400.A.0.A
1230.16.25.M	1304.80.80.01	1302.100.800.01	1348.50.400.01	1450.400.A.0.D
1230.16.50	1304.80.80.01A	1302.100.800.01A	1348.50.50.01	1450.400.A.A.0
1230.16.50.M	1304.80.800.01	1302.100.900.01	1348.50.500.01	1450.400.A.A.A
1230.16.75	1304.80.800.01A	1302.100.900.01A	1348.50.60.01	1450.400.A.D.0
1230.16.75.M	1304.80.900.01	1302.125.100.01	1348.50.600.01	1450.400.A.D.D
1230.16.80	1304.80.900.01A	1302.125.1000.01	1348.50.700.01	1450.400.B.0.0
1230.16.80.M	1305.100.100.01	1302.125.125.01	1348.50.75.01	1450.400.B.0.B
1230.20.100	1305.100.100.01A	1302.125.13F	1348.50.750.01	1450.400.B.0.E
1230.20.100.M	1305.100.1000.01	1302.125.150.01	1348.50.80.01	1450.400.B.B.0
1230.20.125	1305.100.1000.01A	1302.125.160.01	1348.63.100.01	1450.400.B.B.B
1230.20.125.M	1305.100.125.01	1302.125.18F	1348.63.125.01	1450.400.B.E.0
1230.20.15	1305.100.125.01A	1302.125.200.01	1348.63.150.01	1450.400.B.E.E
1230.20.15.M	1305.100.150.01	1302.125.25.01	1348.63.160.01	1450.400.D.0.0
1230.20.150	1305.100.150.01A	1302.125.250.01	1348.63.20.01	1450.400.D.0.C
1230.20.150.M	1305.100.160.01	1302.125.300.01	1348.63.200.01	1450.400.D.0.F
1230.20.160	1305.100.160.01A	1302.125.320.01	1348.63.25.01	1450.400.D.C.0
1230.20.160.M	1305.100.200.01	1302.125.350.01	1348.63.250.01	1450.400.D.C.C
1230.20.200	1305.100.200.01A	1302.125.400.01	1348.63.280.01	1450.400.D.F.0
1230.20.200.M	1305.100.25.01	1302.125.450.01	1348.63.300.01	1450.400.D.F.F
1230.20.25	1305.100.25.01A	1302.125.50.01	1348.63.320.01	1450.450.A.0.0
1230.20.25.M	1305.100.250.01	1302.125.500.01	1348.63.400.01	1450.450.A.0.A
1230.20.250	1305.100.250.01A	1302.125.600.01	1348.63.450.01	1450.450.A.0.D
1230.20.250.M	1305.100.300.01	1302.125.700.01	1348.63.50.01	1450.450.A.A.0
1230.20.300	1305.100.300.01A	1302.125.75.01	1348.63.500.01	1450.450.A.A.A
1230.20.300.M	1305.100.320.01	1302.125.80.01	1348.63.71.01	1450.450.A.D.0
1230.20.50	1305.100.320.01A	1302.125.800.01	1348.63.75.01	1450.450.A.D.D
1230.20.50.M	1305.100.350.01	1302.125.900.01	1348.63.80.01	1450.450.B.0.0
1230.20.75	1305.100.350.01A	1302.160.100.01	1349.32.100.01	1450.450.B.0.B
1230.20.75.M	1305.100.400.01	1302.160.1000.01	1349.32.125.01	1450.450.B.0.E

1230.20.80	1305.100.400.01A	1302.160.125.01	1349.32.150.01	1450.450.B.B.0
1230.20.80.M	1305.100.420.01	1302.160.13F	1349.32.160.01	1450.450.B.B.B
1230.25.100	1305.100.420.01V	1302.160.150.01	1349.32.25.01	1450.450.B.E.0
1230.25.100.M	1305.100.430.01V	1302.160.160.01	1349.32.25.25.1E	1450.450.B.E.E
1230.25.125	1305.100.450.01	1302.160.18F	1349.32.450.01	1450.450.D.0.C
1230.25.125.M	1305.100.450.01A	1302.160.200.01	1349.32.50.01	1450.450.D.0.F
1230.25.15	1305.100.50.01	1302.160.25.01	1349.32.75.01	1450.450.D.C.0
1230.25.15.M	1305.100.50.01A	1302.160.250.01	1349.32.80.01	1450.450.D.C.C
1230.25.150	1305.100.500.01	1302.160.300.01	1349.40.100.01	1450.450.D.F.0
1230.25.150.M	1305.100.500.01A	1302.160.320.01	1349.40.125.01	1450.450.D.F.F
1230.25.160	1305.100.600.01	1302.160.350.01	1349.40.150.01	1450.50.A.0.0
1230.25.160.M	1305.100.600.01A	1302.160.400.01	1349.40.160.01	1450.50.A.0.A
1230.25.200	1305.100.700.01	1302.160.400.02V	1349.40.180.01	1450.50.A.0.D
1230.25.200.M	1305.100.700.01A	1302.160.450.01	1349.40.200.01	1450.50.A.A.0
1230.25.25	1305.100.75.01	1302.160.50.01	1349.40.25.01	1450.50.A.A.A
1230.25.25.M	1305.100.75.01A	1302.160.500.01	1349.40.50.01	1450.50.A.D.0
1230.25.250	1305.100.80.01	1302.160.600.01	1349.40.75.01	1450.50.A.D.D
1230.25.250.M	1305.100.80.01A	1302.160.640.02V	1349.40.80.01	1450.50.B.0.0
1230.25.30.M	1305.100.800.01	1302.160.700.01	1349.50.100.01	1450.50.B.0.B
1230.25.300	1305.100.800.01A	1302.160.75.01	1349.50.125.01	1450.50.B.0.E
1230.25.300.M	1305.100.900.01	1302.160.80.01	1349.50.150.01	1450.50.B.B.0
1230.25.50	1305.100.900.01A	1302.160.800.01	1349.50.160.01	1450.50.B.B.B
1230.25.50.M	1305.125.150.01	1302.160.900.01	1349.50.200.01	1450.50.B.E.0
1230.25.75	1305.125.190.01	1302.200.100.01	1349.50.25.01	1450.50.B.E.E
1230.25.75.M	1305.125.190.01A	1302.200.1000.01	1349.50.250.01	1450.50.D.0.0
1230.25.80	1305.125.200.01	1302.200.125.01	1349.50.300.01	1450.50.D.0.C
1230.25.80.M	1305.125.25.01	1302.200.13F	1349.50.50.01	1450.50.D.0.F
1260.08.08	1305.125.250.01	1302.200.150.01	1349.50.75.01	1450.50.D.C.0
1260.08.100	1305.125.300.01	1302.200.160.01	1349.50.80.01	1450.50.D.C.C
1260.08.140	1305.125.320.01	1302.200.18F	1349.63.100.01	1450.50.D.F.0
1260.08.15	1305.125.350.01	1302.200.200.01	1349.63.125.01	1450.50.D.F.F
1260.08.20	1305.125.400.01	1302.200.25.01	1349.63.150.01	1463.100.A.0.0
1260.08.25	1305.125.450.01	1302.200.250.01	1349.63.160.01	1463.100.A.0.A
1260.08.300	1305.125.50.01	1302.200.300.01	1349.63.200.01	1463.100.A.0.D
1260.08.40	1305.125.500.01	1302.200.320.01	1349.63.25.01	1463.100.A.A.0
1260.08.50	1305.125.60.01	1302.200.350.01	1349.63.250.01	1463.100.A.A.A
1260.08.75	1305.125.600.01	1302.200.400.01	1349.63.30.01	1463.100.A.D.0
1260.08.80	1305.125.700.01	1302.200.450.01	1349.63.300.01	1463.100.A.D.D
1260.10.10	1305.125.75.01	1302.200.50.01	1349.63.320.01	1463.100.B.0.0
1260.10.100	1305.125.80.01	1302.200.500.01	1349.63.50.01	1463.100.B.0.B
1260.10.100.M	1305.125.800.01	1302.200.600.01	1349.63.500.01	1463.100.B.0.E
1260.10.15	1305.125.900.01	1302.200.700.01	1349.63.75.01	1463.100.B.B.0
1260.10.15.M	1305.160.100.01	1302.200.75.01	1349.63.80.01	1463.100.B.B.B
1260.10.154	1305.160.1000.01	1302.200.80.01	1350.32.100.01	1463.100.B.E.0
1260.10.20	1305.160.125.01	1302.200.800.01	1350.32.125.01	1463.100.B.E.E
1260.10.20.M	1305.160.150.01	1302.200.900.01	1350.32.150.01	1463.100.D.0.0
1260.10.25	1305.160.160.01	1302.250.13F	1350.32.160.01	1463.100.D.0.C
1260.10.30	1305.160.200.01	1302.250.18F	1350.32.200.01	1463.100.D.0.F
1260.10.35	1305.160.25.01	1302.32.100.01	1350.32.25.01	1463.100.D.C.0
1260.10.50	1305.160.250.01	1302.32.100.01A	1350.32.30.01	1463.100.D.C.C
1260.10.60	1305.160.300.01	1302.32.1000.01	1350.32.50.01	1463.100.D.F.0
1260.10.75	1305.160.300.01V	1302.32.1000.01A	1350.32.75.01	1463.100.D.F.F
1260.10.75.M	1305.160.320.01	1302.32.125.01	1350.32.80.01	1463.150.A.0.0

1260.10.80	1305.160.350.01	1302.32.125.01A	1350.40.100.01	1463.150.A.0.A
1260.10.80.M	1305.160.400.01	1302.32.13/1F	1350.40.120.01	1463.150.A.0.D
1260.10.F	1305.160.450.01	1302.32.13F	1350.40.125.01	1463.150.A.A.0
1260.12.10	1305.160.50.01	1302.32.150.01	1350.40.150.01	1463.150.A.A.A
1260.12.10.ME	1305.160.500.01	1302.32.150.01A	1350.40.160.01	1463.150.A.D.0
1260.12.100	1305.160.550.01	1302.32.160.01	1350.40.200.01	1463.150.A.D.D
1260.12.100.E	1305.160.600.01	1302.32.160.01A	1350.40.220.01	1463.150.B.0.0
1260.12.100.M	1305.160.685.01V	1302.32.18F	1350.40.25.01	1463.150.B.0.B
1260.12.100.MB	1305.160.700.01	1302.32.200.01	1350.40.250.01	1463.150.B.0.E
1260.12.110	1305.160.75.01	1302.32.200.01A	1350.40.350.01	1463.150.B.B.0
1260.12.110.E	1305.160.80.01	1302.32.25.01	1350.40.400.01	1463.150.B.B.B
1260.12.115.M	1305.160.800.01	1302.32.25.01A	1350.40.50.01	1463.150.B.E.0
1260.12.120	1305.160.85.01	1302.32.250.01	1350.40.75.01	1463.150.B.E.E
1260.12.125	1305.160.900.01	1302.32.250.01A	1350.40.80.01	1463.150.D.0.0
1260.12.125.M	1305.200.100.01	1302.32.300.01	1350.50.100.01	1463.150.D.0.C
1260.12.130	1305.200.1000.01	1302.32.300.01A	1350.50.125.01	1463.150.D.0.F
1260.12.15	1305.200.125.01	1302.32.320.01	1350.50.160.01	1463.150.D.C.0
1260.12.15.E	1305.200.150.01	1302.32.320.01A	1350.50.200.01	1463.150.D.C.C
1260.12.15.M	1305.200.160.01	1302.32.320.TC.01	1350.50.25.01	1463.150.D.F.0
1260.12.150	1305.200.200.01	1302.32.350.01	1350.50.250.01	1463.150.D.F.F
1260.12.150.E	1305.200.25.01	1302.32.350.01A	1350.50.40.01	1463.200.A.0.0
1260.12.150.M	1305.200.250.01	1302.32.400.01	1350.50.475.01	1463.200.A.0.A
1260.12.160	1305.200.300.01	1302.32.400.01A	1350.50.50.01	1463.200.A.0.D
1260.12.160.M	1305.200.320.01	1302.32.450.01	1350.50.75.01	1463.200.A.A.0
1260.12.170	1305.200.350.01	1302.32.450.01A	1350.50.80.01	1463.200.A.A.A
1260.12.175	1305.200.400.01	1302.32.50.01	1350.63.100.01	1463.200.A.D.0
1260.12.175.M	1305.200.450.01	1302.32.50.01.M	1350.63.120.01	1463.200.A.D.D
1260.12.20	1305.200.50.01	1302.32.50.01A	1350.63.125.01	1463.200.B.0.0
1260.12.20.M	1305.200.500.01	1302.32.500.01	1350.63.150.01	1463.200.B.0.B
1260.12.200	1305.200.600.01	1302.32.500.01A	1350.63.160.01	1463.200.B.0.E
1260.12.200.E	1305.200.700.01	1302.32.570.01	1350.63.200.01	1463.200.B.B.0
1260.12.200.M	1305.200.75.01	1302.32.600.01	1350.63.25.01	1463.200.B.B.B
1260.12.210.M	1305.200.80.01	1302.32.600.01A	1350.63.250.01	1463.200.B.E.0
1260.12.25	1305.200.800.01	1302.32.700.01	1350.63.300.01	1463.200.B.E.E
1260.12.25.E	1305.200.900.01	1302.32.700.01A	1350.63.320.01	1463.200.D.0.0
1260.12.25.M	1305.250.03F	1302.32.75.01	1350.63.50.01	1463.200.D.0.C
1260.12.250	1305.250.09/1F	1302.32.75.01A	1350.63.60.02	1463.200.D.0.F
1260.12.250.E	1305.250.09F	1302.32.80.01	1350.63.75.01	1463.200.D.C.0
1260.12.250.M	1305.250.12F	1302.32.80.01A	1350.63.80.01	1463.200.D.C.C
1260.12.30	1305.250.500.01A	1302.32.800.01	1355.63.65.01	1463.200.D.F.0
1260.12.30.M	1305.250.600.01A	1302.32.800.01A	1380.01F	1463.200.D.F.F
1260.12.300	1305.250.700.01AV	1302.32.900.01	1380.100.03F	1463.250.A.0.0
1260.12.300.E	1305.250.700.01V	1302.32.900.01A	1380.100.04F	1463.250.A.0.A
1260.12.300.M	1305.32.100.01	1302.40.100.01	1380.100.08F	1463.250.A.0.D
1260.12.320	1305.32.100.01A	1302.40.100.01A	1380.100.09/1F	1463.250.A.A.0
1260.12.320.M	1305.32.1000.01	1302.40.100.TC.01	1380.100.09F	1463.250.A.A.A
1260.12.40	1305.32.1000.01A	1302.40.1000.01	1380.100.100.01	1463.250.A.D.0
1260.12.40.M	1305.32.125.01	1302.40.1000.01A	1380.100.1000.01	1463.250.A.D.D
1260.12.400	1305.32.125.01A	1302.40.125.01	1380.100.10F	1463.250.B.0.0
1260.12.45	1305.32.150.01	1302.40.125.01A	1380.100.1100.01	1463.250.B.0.B
1260.12.45.M	1305.32.150.01A	1302.40.13/1F	1380.100.11F	1463.250.B.0.E
1260.12.5	1305.32.160.01	1302.40.13F	1380.100.120.01	1463.250.B.B.0
1260.12.50	1305.32.160.01A	1302.40.150.01	1380.100.125.01	1463.250.B.B.B

1260.12.50.50.D	1305.32.200.01	1302.40.150.01A	1380.100.12F	1463.250.B.E.0
1260.12.50.E	1305.32.200.01A	1302.40.160.01	1380.100.150.01	1463.250.B.E.E
1260.12.50.M	1305.32.25.01	1302.40.160.01A	1380.100.15F	1463.250.D.0.0
1260.12.50.ME	1305.32.25.01A	1302.40.18F	1380.100.160.01	1463.250.D.0.C
1260.12.500	1305.32.250.01	1302.40.200.01	1380.100.200.01	1463.250.D.0.F
1260.12.51B	1305.32.250.01A	1302.40.200.01A	1380.100.2000.01	1463.250.D.C.0
1260.12.51BS	1305.32.300.01	1302.40.200.TC.01	1380.100.25.01	1463.250.D.C.C
1260.12.51S	1305.32.300.01A	1302.40.235.M.TC.01	1380.100.25.25.E	1463.250.D.F.0
1260.12.55.M	1305.32.320.01	1302.40.25.01	1380.100.250.01	1463.250.D.F.F
1260.12.550	1305.32.320.01A	1302.40.25.01A	1380.100.300.01	1463.300.A.0.0
1260.12.60	1305.32.35.01	1302.40.250.01	1380.100.30F	1463.300.A.0.A
1260.12.60.E	1305.32.350.01	1302.40.250.01A	1380.100.320.01	1463.300.A.0.D
1260.12.60.M	1305.32.350.01A	1302.40.300.01	1380.100.350.01	1463.300.A.A.0
1260.12.65.M	1305.32.400.01	1302.40.300.01A	1380.100.35F	1463.300.A.A.A
1260.12.650	1305.32.400.01A	1302.40.320.01	1380.100.400.01	1463.300.A.D.0
1260.12.70	1305.32.450.01	1302.40.320.01A	1380.100.450.01	1463.300.A.D.D
1260.12.700	1305.32.450.01A	1302.40.350.01	1380.100.50.01	1463.300.B.0.0
1260.12.75	1305.32.50.01	1302.40.350.01A	1380.100.500.01	1463.300.B.0.B
1260.12.75.E	1305.32.50.01A	1302.40.400.01	1380.100.600.01	1463.300.B.0.E
1260.12.75.M	1305.32.500.01	1302.40.400.01A	1380.100.700.01	1463.300.B.B.0
1260.12.80	1305.32.500.01A	1302.40.450.01	1380.100.75.01	1463.300.B.B.B
1260.12.80.M	1305.32.600.01	1302.40.450.01A	1380.100.80.01	1463.300.B.E.0
1260.12.F	1305.32.600.01A	1302.40.50.01	1380.100.800.01	1463.300.B.E.E
1260.12.FS	1305.32.700.01	1302.40.50.01A	1380.100.900.01	1463.300.D.0.0
1260.16.10	1305.32.700.01A	1302.40.50.TC.01	1380.125.03F	1463.300.D.0.C
1260.16.10.E	1305.32.75.01	1302.40.500.01	1380.125.04F	1463.300.D.0.F
1260.16.10.M	1305.32.75.01A	1302.40.500.01A	1380.125.08F	1463.300.D.C.0
1260.16.10.MA	1305.32.80.01	1302.40.600.01	1380.125.09/1F	1463.300.D.C.C
1260.16.100	1305.32.80.01A	1302.40.600.01A	1380.125.09F	1463.300.D.F.0
1260.16.100.E	1305.32.800.01	1302.40.650.01.M	1380.125.10F	1463.300.D.F.F
1260.16.100.M	1305.32.800.01A	1302.40.700.01	1380.125.11F	1463.350.A.0.0
1260.16.100.MA	1305.32.900.01	1302.40.700.01A	1380.125.15F	1463.350.A.0.A
1260.16.100.MT	1305.32.900.01A	1302.40.75.01	1380.125.30F	1463.350.A.0.D
1260.16.110.A	1305.40.100.01	1302.40.75.01A	1380.125.35F	1463.350.A.A.0
1260.16.110.MA	1305.40.100.01A	1302.40.80.01	1380.15	1463.350.A.A.A
1260.16.115.MA	1305.40.1000.01	1302.40.80.01A	1380.160.03F	1463.350.A.D.0
1260.16.120	1305.40.1000.01A	1302.40.800.01	1380.160.04F	1463.350.A.D.D
1260.16.120.A	1305.40.125.01	1302.40.800.01A	1380.160.08F	1463.350.B.0.0
1260.16.120.M	1305.40.125.01A	1302.40.85.01	1380.160.09/1F	1463.350.B.0.B
1260.16.125	1305.40.150.01	1302.40.900.01	1380.160.09F	1463.350.B.0.E
1260.16.125.E	1305.40.150.01A	1302.40.900.01A	1380.160.10F	1463.350.B.B.0
1260.16.125.ME	1305.40.160.01	1302.50.100.01	1380.160.11F	1463.350.B.B.B
1260.16.130	1305.40.160.01A	1302.50.100.01A	1380.160.15F	1463.350.B.E.0
1260.16.130.M	1305.40.200.01	1302.50.100.02	1380.160.30F	1463.350.B.E.E
1260.16.135	1305.40.200.01A	1302.50.100.02.A	1380.160.35F	1463.350.D.0.0
1260.16.140.MA	1305.40.25.01	1302.50.1000.01	1380.200.03F	1463.350.D.0.C
1260.16.15	1305.40.25.01A	1302.50.1000.01A	1380.200.04F	1463.350.D.0.F
1260.16.15.E	1305.40.250.01	1302.50.125.01	1380.200.08F	1463.350.D.C.0
1260.16.15.M	1305.40.250.01A	1302.50.125.01A	1380.200.09/1F	1463.350.D.C.C
1260.16.15.MA	1305.40.300.01	1302.50.13/1F	1380.200.09F	1463.350.D.F.0
1260.16.15.T	1305.40.300.01A	1302.50.13F	1380.200.10F	1463.350.D.F.F
1260.16.150	1305.40.320.01	1302.50.150.01	1380.200.11F	1463.400.A.0.0
1260.16.150.E	1305.40.320.01A	1302.50.150.01A	1380.200.15F	1463.400.A.0.A



1260.16.150.M	1305.40.35.01	1302.50.160.01	1380.200.30F	1463.400.A.0.D
1260.16.150.MA	1305.40.350.01	1302.50.160.01A	1380.200.35F	1463.400.A.A.0
1260.16.154	1305.40.350.01A	1302.50.18F	1380.32.03F	1463.400.A.A.A
1260.16.160	1305.40.400.01	1302.50.200.01	1380.32.04F	1463.400.A.D.0
1260.16.160.M	1305.40.400.01A	1302.50.200.01A	1380.32.08F	1463.400.A.D.D.
1260.16.160.MA	1305.40.450.01	1302.50.200.02M	1380.32.09/1F	1463.400.B.0.0
1260.16.160.ME	1305.40.450.01A	1302.50.200.M.02	1380.32.09F	1463.400.B.0.B
1260.16.18	1305.40.50.01	1302.50.25.01	1380.32.100.01	1463.400.B.0.E
1260.16.180	1305.40.50.01A	1302.50.25.01A	1380.32.1000.01	1463.400.B.B.0
1260.16.20	1305.40.500.01	1302.50.250.01	1380.32.10F	1463.400.B.B.B
1260.16.20.M	1305.40.500.01A	1302.50.250.01A	1380.32.110.01	1463.400.B.E.0
1260.16.20.MA	1305.40.600.01	1302.50.300.01	1380.32.11F	1463.400.B.E.E
1260.16.200	1305.40.600.01A	1302.50.300.01A	1380.32.125.01	1463.400.D.0.0
1260.16.200.E	1305.40.700.01	1302.50.320.01	1380.32.12F	1463.400.D.0.C
1260.16.200.M	1305.40.700.01A	1302.50.320.01A	1380.32.150.01	1463.400.D.0.F
1260.16.200.ME	1305.40.75.01	1302.50.350.01	1380.32.15F	1463.400.D.C.0
1260.16.25	1305.40.75.01A	1302.50.350.01A	1380.32.160.01	1463.400.D.C.C
1260.16.25.A	1305.40.80.01	1302.50.400.01	1380.32.200.01	1463.400.D.F.0
1260.16.25.AT	1305.40.80.01A	1302.50.400.01A	1380.32.25.01	1463.400.D.F.F
1260.16.25.E	1305.40.800.01	1302.50.450.01	1380.32.250.01	1463.450.A.0.0
1260.16.25.M	1305.40.800.01A	1302.50.450.01A	1380.32.30.01	1463.450.A.0.A
1260.16.25.MA	1305.40.900.01	1302.50.50.01	1380.32.300.01	1463.450.A.0.D
1260.16.25.ME	1305.40.900.01A	1302.50.50.01A	1380.32.30F	1463.450.A.A.0
1260.16.25.T	1305.50.100.01	1302.50.50.TC.01	1380.32.320.01	1463.450.A.A.A
1260.16.250	1305.50.100.01A	1302.50.500.01	1380.32.350.01	1463.450.A.D.0
1260.16.250.E	1305.50.1000.01	1302.50.500.01A	1380.32.35F	1463.450.A.D.D
1260.16.250.M	1305.50.1000.01A	1302.50.600.01	1380.32.400.01	1463.450.B.0.0
1260.16.260.ME	1305.50.125.01	1302.50.600.01A	1380.32.450.01	1463.450.B.0.B
1260.16.27.M	1305.50.125.01A	1302.50.700.01	1380.32.50.01	1463.450.B.0.E
1260.16.30	1305.50.150.01	1302.50.700.01A	1380.32.500.01	1463.450.B.B.0
1260.16.30.M	1305.50.150.01A	1302.50.75.01	1380.32.600.01	1463.450.B.B.B
1260.16.30.MA	1305.50.160.01	1302.50.800.01	1380.32.700.01	1463.450.B.E.0
1260.16.300	1305.50.160.01A	1302.50.800.01A	1380.32.75.01	1463.450.B.E.E
1260.16.300.E	1305.50.200.01	1302.50.900.01	1380.32.750.01	1463.450.D.0.0
1260.16.300.M	1305.50.200.01A	1302.50.900.01A	1380.32.80.01	1463.450.D.0.C
1260.16.300.MA	1305.50.25.01	1302.63.100.01	1380.32.800.01	1463.450.D.0.F
1260.16.32	1305.50.25.01A	1302.63.100.01A	1380.32.900.01	1463.450.D.C.0
1260.16.320	1305.50.250.01	1302.63.1000.01	1380.32.900.01B	1463.450.D.C.C
1260.16.320.M	1305.50.250.01A	1302.63.1000.01A	1380.40.03F	1463.450.D.F.0
1260.16.325	1305.50.300.01	1302.63.125.01	1380.40.04F	1463.450.D.F.F
1260.16.35	1305.50.300.01A	1302.63.125.01A	1380.40.08F	1463.50.A.0.0
1260.16.35.M	1305.50.320.01	1302.63.125.02	1380.40.09/1F	1463.50.A.0.A
1260.16.35.MA	1305.50.320.01A	1302.63.13/1F	1380.40.09F	1463.50.A.0.D
1260.16.350	1305.50.350.01	1302.63.13F	1380.40.100.01	1463.50.A.A.0
1260.16.36.M	1305.50.350.01A	1302.63.150.01	1380.40.1000.01	1463.50.A.A.A
1260.16.40	1305.50.400.01	1302.63.150.01A	1380.40.10F	1463.50.A.D.0
1260.16.40.A	1305.50.400.01A	1302.63.1500.01	1380.40.11F	1463.50.A.D.D
1260.16.40.E	1305.50.450.01	1302.63.160.01	1380.40.125.01	1463.50.B.0.0
1260.16.40.M	1305.50.450.01A	1302.63.160.01.M	1380.40.12F	1463.50.B.0.B
1260.16.40.T	1305.50.50.01	1302.63.160.01A	1380.40.150.01	1463.50.B.0.E
1260.16.40.V	1305.50.50.01A	1302.63.160.01X	1380.40.15F	1463.50.B.B.0
1260.16.420	1305.50.500.01	1302.63.18F	1380.40.160.01	1463.50.B.B.B
1260.16.45.E	1305.50.500.01A	1302.63.200.01	1380.40.170.01	1463.50.B.E.0

1260.16.5	1305.50.600.01	1302.63.200.01A	1380.40.200.01	1463.50.B.E.E
1260.16.50	1305.50.600.01A	1302.63.25.01	1380.40.200.150.D	1463.50.D.0.0
1260.16.50.A	1305.50.700.01	1302.63.25.01A	1380.40.200.75.D	1463.50.D.0.C
1260.16.50.E	1305.50.700.01A	1302.63.250.01	1380.40.25.01	1463.50.D.0.F
1260.16.50.M	1305.50.75.01	1302.63.250.01.TC.M	1380.40.250.01	1463.50.D.C.0
1260.16.50.MA	1305.50.75.01A	1302.63.250.01A	1380.40.300.01	1463.50.D.C.C
1260.16.50.ME	1305.50.80.01	1302.63.300.01	1380.40.30F	1463.50.D.F.0
1260.16.500	1305.50.80.01A	1302.63.300.01.TC.M	1380.40.320.01	1463.50.D.F.F
1260.16.60	1305.50.800.01	1302.63.300.01A	1380.40.325.01	1500.100.03F
1260.16.60.E	1305.50.800.01A	1302.63.320.01	1380.40.350.01	1500.100.05/1F
1260.16.60.M	1305.50.900.01	1302.63.320.01A	1380.40.35F	1500.100.08F
1260.16.600.M	1305.50.900.01A	1302.63.350.01	1380.40.40.01	1500.100.09/1F
1260.16.65.MA	1305.63.100.01	1302.63.350.01A	1380.40.400.01	1500.100.09F
1260.16.650	1305.63.100.01A	1302.63.40.01	1380.40.450.01	1500.100.17F
1260.16.70	1305.63.1000.01	1302.63.400.01	1380.40.50.01	1500.15F
1260.16.70.ME	1305.63.1000.01A	1302.63.400.01A	1380.40.500.01	1500.16F
1260.16.75	1305.63.125.01	1302.63.400.01X	1380.40.525.01	1500.17F
1260.16.75.E	1305.63.125.01A	1302.63.450.01	1380.40.600.01	1500.18F
1260.16.75.M	1305.63.150.01	1302.63.450.01A	1380.40.700.01	1500.20.09/1F
1260.16.80	1305.63.150.01A	1302.63.450.01X	1380.40.75.01	1500.20.09F
1260.16.80.A	1305.63.160.01	1302.63.50.01	1380.40.750.01	1500.20.17F
1260.16.80.E	1305.63.160.01A	1302.63.50.01A	1380.40.80.01	1500.25.09/1F
1260.16.80.EM	1305.63.200.01	1302.63.500.01	1380.40.800.01	1500.25.09F
1260.16.80.M	1305.63.200.01A	1302.63.500.01A	1380.40.900.01	1500.25.17F
1260.16.80.MA	1305.63.25.01	1302.63.600.01	1380.40.910.01	1500.32.03F
1260.16.90	1305.63.25.01A	1302.63.600.01A	1380.50.03F	1500.32.05/1F
1260.16.F	1305.63.250.01	1302.63.700.01	1380.50.04F	1500.32.08F
1260.16.FS	1305.63.250.01A	1302.63.700.01A	1380.50.08F	1500.32.09/1F
1260.20.05	1305.63.300.01	1302.63.75.01	1380.50.09/1F	1500.32.09F
1260.20.10	1305.63.300.01A	1302.63.75.01A	1380.50.09F	1500.32.17F
1260.20.10.E	1305.63.320.01	1302.63.750.01.M	1380.50.10.01	1500.40.03F
1260.20.10.M	1305.63.320.01A	1302.63.80.01	1380.50.100.01	1500.40.05/1F
1260.20.10.MA	1305.63.350.01	1302.63.80.01A	1380.50.1000.01	1500.40.08F
1260.20.100	1305.63.350.01A	1302.63.800.01	1380.50.10F	1500.40.09/1F
1260.20.100.A	1305.63.390.01	1302.63.800.01A	1380.50.11F	1500.40.09F
1260.20.100.E	1305.63.400.01	1302.63.900.01	1380.50.125.01	1500.40.17F
1260.20.100.GLB	1305.63.400.01A	1302.63.900.01A	1380.50.12F	1500.50.03F
1260.20.100.M	1305.63.450.01	1302.80.100.01	1380.50.1400.01	1500.50.05/1F
1260.20.100.MA	1305.63.450.01A	1302.80.100.01A	1380.50.150.01	1500.50.08F
1260.20.100.T	1305.63.50.01	1302.80.1000.01	1380.50.155.01	1500.50.09/1F
1260.20.105	1305.63.50.01A	1302.80.1000.01A	1380.50.15F	1500.50.09F
1260.20.110.A	1305.63.500.01	1302.80.125.01	1380.50.160.01	1500.50.17F
1260.20.115.MA	1305.63.500.01A	1302.80.125.01A	1380.50.1600.01	1500.63.03F
1260.20.120	1305.63.600.01	1302.80.13/1F	1380.50.200.01	1500.63.05/1F
1260.20.120.E	1305.63.600.01A	1302.80.13F	1380.50.225.01	1500.63.08F
1260.20.120.M	1305.63.700.01	1302.80.150.01	1380.50.25.01	1500.63.09/1F
1260.20.120.MA	1305.63.700.01A	1302.80.150.01A	1380.50.250.01	1500.63.09F
1260.20.125	1305.63.75.01	1302.80.160.01	1380.50.300.01	1500.63.17F
1260.20.125.A	1305.63.75.01A	1302.80.160.01A	1380.50.30F	1500.80.03F
1260.20.125.E	1305.63.80.01	1302.80.18F	1380.50.320.01	1500.80.05/1F
1260.20.125.GLB	1305.63.80.01A	1302.80.200.01	1380.50.350.01	1500.80.08F
1260.20.125.M	1305.63.800.01	1302.80.200.01A	1380.50.35F	1500.80.09/1F
1260.20.125.MA	1305.63.800.01A	1302.80.25.01	1380.50.400.01	1500.80.09F

1260.20.130	1305.63.880.01AX	1302.80.25.01A	1380.50.450.01	1500.80.17F
1260.20.140	1305.63.900.01	1302.80.250.01	1380.50.50.01	1500.A.C
1260.20.140.E	1305.63.900.01A	1302.80.250.01A	1380.50.500.01	1500.D.C.
1260.20.15	1305.80.100.01	1302.80.300.01	1380.50.60.01	1500.HAN
1260.20.15.A	1305.80.100.01A	1302.80.300.01A	1380.50.600.01	1500.HAP
1260.20.15.E	1305.80.1000.01	1302.80.320.01	1380.50.700.01	1500.HCN
1260.20.15.M	1305.80.1000.01A	1302.80.320.01A	1380.50.75.01	1500.HCP
1260.20.150	1305.80.1100.01	1302.80.350.01	1380.50.80.01	1500.U
1260.20.150.A	1305.80.125.01	1302.80.350.01A	1380.50.800.01	1500.U/1
1260.20.150.AM	1305.80.125.01A	1302.80.400.01	1380.50.85.01	1500.U-5
1260.20.150.E	1305.80.150.01	1302.80.400.01A	1380.50.900.01	1501.100.75
1260.20.150.GLB	1305.80.150.01A	1302.80.450.01	1380.63.03F	1501.100.80
1260.20.150.M	1305.80.160.01	1302.80.450.01A	1380.63.04F	1501.20.10.AR
1260.20.150.ME	1305.80.160.01A	1302.80.460.01	1380.63.08F	1501.20.100.AR
1260.20.160	1305.80.200.01	1302.80.50.01	1380.63.09/1F	1501.20.15.AR
1260.20.160.M	1305.80.200.01A	1302.80.50.01A	1380.63.09F	1501.20.40.AR
1260.20.170.MA	1305.80.25.01	1302.80.500.01	1380.63.100.01	1501.20.50.AR
1260.20.175.M	1305.80.25.01A	1302.80.500.01A	1380.63.1000.01	1501.25.10.AR
1260.20.180	1305.80.250.01	1302.80.60.TC.01	1380.63.10F	1501.25.15.AR
1260.20.20	1305.80.250.01A	1302.80.600.01	1380.63.11F	1501.25.25.AR
1260.20.20.E	1305.80.300.01	1302.80.600.01A	1380.63.125.01	1501.25.30.T
1260.20.20.M	1305.80.300.01A	1302.80.700.01	1380.63.12F	1501.25.35
1260.20.20.MA	1305.80.320.01	1302.80.700.01A	1380.63.15.01	1501.25.40.AR
1260.20.200	1305.80.320.01A	1302.80.75.01	1380.63.150.01	1501.25.75
1260.20.200.E	1305.80.350.01	1302.80.75.01A	1380.63.15F	1501.32.100.AR
1260.20.200.GLB	1305.80.350.01A	1302.80.80.01	1380.63.160.01	1501.32.125.AR
1260.20.200.M	1305.80.400.01	1302.80.80.01A	1380.63.175.01	1501.32.15.AR
1260.20.200.MA	1305.80.400.01A	1302.80.800.01	1380.63.200.01	1501.32.20.AR
1260.20.210	1305.80.450.01	1302.80.800.01A	1380.63.25.01	1501.32.50.AR
1260.20.220	1305.80.450.01A	1302.80.900.01	1380.63.250.01	1501.32.60.AR
1260.20.230.M	1305.80.50.01	1302.80.900.01A	1380.63.30.01	1501.32.80
1260.20.230.MA	1305.80.50.01A	1303.100.03F	1380.63.300.01	1501.40.10.AR
1260.20.25	1305.80.500.01	1303.100.04F	1380.63.30F	1501.40.20.AR
1260.20.25.A	1305.80.500.01A	1303.100.05/1F	1380.63.320.01	1501.40.60
1260.20.25.E	1305.80.600.01	1303.100.05F	1380.63.340.01	1501.40.70
1260.20.25.GLB	1305.80.600.01A	1303.100.06F	1380.63.35.01	1501.50.150
1260.20.25.M	1305.80.700.01	1303.100.07F	1380.63.350.01	1501.50.20.AR
1260.20.25.MA	1305.80.700.01A	1303.100.08F	1380.63.35F	1501.63.60
1260.20.25.ME	1305.80.75.01	1303.100.09F	1380.63.40.01	1501.63.80
1260.20.25.X	1305.80.75.01A	1303.100.100.01	1380.63.400.01	1501.80.30.AR
1260.20.250	1305.80.80.01	1303.100.100.01A	1380.63.420.01	1502.12.10
1260.20.250.E	1305.80.80.01A	1303.100.1000.01	1380.63.450.01	1502.12.4
1260.20.250.M	1305.80.800.01	1303.100.1000.01A	1380.63.50.01	1502.16.08
1260.20.250.MA	1305.80.800.01A	1303.100.10F	1380.63.500.01	1502.16.4
1260.20.260.T	1305.80.900.01	1303.100.1100.01A	1380.63.600.01	1502.20.20
1260.20.275	1305.80.900.01A	1303.100.11F	1380.63.700.01	1502.40.15
1260.20.290.M	1306.100.100.01	1303.100.125.01	1380.63.75.01	1502.40.20
1260.20.30	1306.100.1000.01	1303.100.125.01A	1380.63.80.01	1502.50.20
1260.20.30.A	1306.100.120.01	1303.100.150.01	1380.63.800.01	1502.8.4
1260.20.30.M	1306.100.125.01	1303.100.150.01A	1380.63.900.01	1502.80.20
1260.20.30.MA	1306.100.150.01	1303.100.160.01	1380.80.03F	1511.100.70
1260.20.300	1306.100.160.01	1303.100.160.01A	1380.80.04F	1511.20.10.AR
1260.20.300.E	1306.100.1700.01	1303.100.1700.01	1380.80.08F	1511.20.20.AR

1260.20.300.GLB	1306.100.1800.01	1303.100.200.01	1380.80.09/1F	1511.20.45.AR
1260.20.300.M	1306.100.200.01	1303.100.200.01A	1380.80.09F	1511.25.10.AR
1260.20.300.MA	1306.100.25.01	1303.100.25.01	1380.80.100.01	1511.25.15.AR
1260.20.320	1306.100.250.01	1303.100.25.01A	1380.80.1000.01	1511.25.35
1260.20.320.M	1306.100.300.01	1303.100.250.01	1380.80.10F	1511.25.40.AR
1260.20.35	1306.100.320.01	1303.100.250.01A	1380.80.11F	1511.25.45
1260.20.35.A	1306.100.350.01	1303.100.300.01	1380.80.125.01	1511.25.50.AR
1260.20.35.GLB	1306.100.400.01	1303.100.300.01A	1380.80.12F	1511.25.75.AR
1260.20.35.M	1306.100.450.01	1303.100.320.01	1380.80.150.01	1511.32.10.AR
1260.20.35.ME	1306.100.50.01	1303.100.320.01A	1380.80.15F	1511.32.15.AR
1260.20.350	1306.100.500.01	1303.100.350.01	1380.80.160.01	1511.32.20.AR
1260.20.350.E	1306.100.600.01	1303.100.350.01A	1380.80.200.01	1511.32.30
1260.20.350.M	1306.100.700.01	1303.100.40.01A	1380.80.25.01	1511.32.40
1260.20.350.MA	1306.100.75.01	1303.100.400.01	1380.80.250.01	1511.32.45
1260.20.40	1306.100.80.01	1303.100.400.01A	1380.80.300.01	1511.40.0240
1260.20.40.A	1306.100.80.01V	1303.100.450.01	1380.80.30F	1511.40.150.AR
1260.20.40.E	1306.100.800.01	1303.100.450.01A	1380.80.320.01	1511.40.35
1260.20.40.M	1306.100.900.01	1303.100.50.01	1380.80.350.01	1511.40.40.AR
1260.20.40.MA	1306.125.100.01	1303.100.50.01A	1380.80.35F	1511.50.110
1260.20.400	1306.125.1000.01	1303.100.500.01	1380.80.400.01	1511.50.200
1260.20.400.A	1306.125.1000.01X	1303.100.500.01A	1380.80.450.01	1511.63.115
1260.20.400.E	1306.125.125.01	1303.100.600.01	1380.80.50.01	1511.63.125
1260.20.400.M	1306.125.150.01	1303.100.600.01A	1380.80.500.01	1511.63.150
1260.20.425.AM	1306.125.160.01	1303.100.700.01	1380.80.525.01	1511.63.300
1260.20.45	1306.125.200.01	1303.100.700.01A	1380.80.60.01	1511.63.40.AR
1260.20.45.GLB	1306.125.25.01	1303.100.75.01	1380.80.600.01	1511.63.50.AR
1260.20.450	1306.125.250.01	1303.100.75.01A	1380.80.700.01	1511.63.60
1260.20.450.GLB	1306.125.300.01	1303.100.80.01	1380.80.75.01	1511.63.65
1260.20.50	1306.125.320.01	1303.100.80.01A	1380.80.80.01	1511.63.75
1260.20.50.A	1306.125.350.01	1303.100.800.01	1380.80.800.01	1511.80.150
1260.20.50.E	1306.125.400.01	1303.100.800.01A	1380.80.900.01	1511.80.25.AR
1260.20.50.EX	1306.125.450.01	1303.100.900.01	1381.100.100.01	1511.80.40.AR
1260.20.50.M	1306.125.50.01	1303.100.900.01A	1381.100.1000.01	1511.80.50.AR
1260.20.50.MA	1306.125.500.01	1303.125.03F	1381.100.125.01	1511.80.60.AR
1260.20.50.ME	1306.125.550.01	1303.125.04F	1381.100.150.01	1512.20.25
1260.20.50.T	1306.125.600.01	1303.125.05F	1381.100.160.01	1512.40.25
1260.20.500	1306.125.700.01	1303.125.06F	1381.100.200.01	1513.20.20
1260.20.500.M	1306.125.75.01	1303.125.08F	1381.100.2000.01	1514.40.20.AR
1260.20.51B	1306.125.80.01	1303.125.09F	1381.100.25.01	1515.20.30.30.M
1260.20.51BS	1306.125.800.01	1303.125.100.01	1381.100.250.01	1515.32.15.15.M
1260.20.51S	1306.125.900.01	1303.125.1000.01	1381.100.300.01	1515.40.25.25
1260.20.522	1306.15	1303.125.10F	1381.100.320.01	1515.50.20.20
1260.20.55	1306.160.100.01	1303.125.11F	1381.100.350.01	1515.63.40.25
1260.20.55.M	1306.160.1000.01	1303.125.125.01	1381.100.400.01	1515.80.30.30.M
1260.20.55.MA	1306.160.125.01	1303.125.1250.01	1381.100.4000.01	1516.25.15.M
1260.20.55.ME	1306.160.150.01	1303.125.150.01	1381.100.450.01	1516.40.25.M
1260.20.55.T	1306.160.160.01	1303.125.160.01	1381.100.50.01	1561.100.10.01.1
1260.20.60	1306.160.200.01	1303.125.160.01V	1381.100.500.01	1561.100.10.01.2
1260.20.60.E	1306.160.25.01	1303.125.1830.01	1381.100.600.01	1561.100.10.01.3
1260.20.60.M	1306.160.250.01	1303.125.200.01	1381.100.700.01	1561.100.10.02.1
1260.20.600	1306.160.300.01	1303.125.25.01	1381.100.75.01	1561.100.10.03.1
1260.20.600.A	1306.160.320.01	1303.125.250.01	1381.100.80.01	1561.100.10.04.1
1260.20.600.M	1306.160.350.01	1303.125.250.01A	1381.100.800.01	1561.100.10.05.1

1260.20.65	1306.160.400.01	1303.125.300.01	1381.100.900.01	1561.100.10.06.1
1260.20.65.M	1306.160.450.01	1303.125.320.01	1381.32.100.01	1561.100.10.07.1
1260.20.70	1306.160.50.01	1303.125.350.01	1381.32.1000.01	1561.100.100.01.1
1260.20.70.M	1306.160.500.01	1303.125.355.01	1381.32.125.01	1561.100.100.02.1
1260.20.75	1306.160.600.01	1303.125.400.01	1381.32.150.01	1561.100.100.03.1
1260.20.75.A	1306.160.700.01	1303.125.400.01V	1381.32.160.01	1561.100.100.04.1
1260.20.75.AT	1306.160.75.01	1303.125.450.01	1381.32.200.01	1561.100.115.01.1
1260.20.75.E	1306.160.80.01	1303.125.50.01	1381.32.25.01	1561.100.125.01.1
1260.20.75.M	1306.160.800.01	1303.125.500.01	1381.32.250.01	1561.100.125.02.1
1260.20.75.MA	1306.160.900.01	1303.125.59.01	1381.32.300.01	1561.100.125.03.1
1260.20.75.ME	1306.200.100.01	1303.125.60.01	1381.32.320.01	1561.100.125.04.1
1260.20.80	1306.200.1000.01	1303.125.600.01	1381.32.350.01	1561.100.125.125.C
1260.20.80.A	1306.200.125.01	1303.125.700.01	1381.32.400.01	1561.100.1300.02.1
1260.20.80.E	1306.200.150.01	1303.125.700.01V	1381.32.450.01	1561.100.15.01.1
1260.20.80.M	1306.200.160.01	1303.125.75.01	1381.32.50.01	1561.100.15.01.2
1260.20.80.MA	1306.200.200.01	1303.125.80.01	1381.32.500.01	1561.100.15.01.3
1260.20.80.ME	1306.200.25.01	1303.125.800.01	1381.32.600.01	1561.100.15.02.1
1260.20.800	1306.200.250.01	1303.125.900.01	1381.32.700.01	1561.100.15.03.1
1260.20.800.M	1306.200.300.01	1303.160.03F	1381.32.75.01	1561.100.15.04.1
1260.20.85	1306.200.320.01	1303.160.04F	1381.32.80.01	1561.100.15.05.1
1260.20.90	1306.200.350.01	1303.160.05F	1381.32.800.01	1561.100.15.06.1
1260.20.F	1306.200.400.01	1303.160.06F	1381.32.900.01	1561.100.15.07.1
1260.20.FS	1306.200.450.01	1303.160.08F	1381.40.100.01	1561.100.15.15.1C
1260.25.06	1306.200.50.01	1303.160.09F	1381.40.1000.01	1561.100.150.01.1
1260.25.10	1306.200.500.01	1303.160.100.01	1381.40.120.01	1561.100.150.02.1
1260.25.10.M	1306.200.600.01	1303.160.1000.01	1381.40.125.01	1561.100.150.03.1
1260.25.10.MA	1306.200.700.01	1303.160.10F	1381.40.150.01	1561.100.150.04.1
1260.25.10.T	1306.200.75.01	1303.160.1170.01	1381.40.160.01	1561.100.150.07.1
1260.25.100	1306.200.80.01	1303.160.11F	1381.40.170.01	1561.100.20.01.1
1260.25.100.A	1306.200.800.01	1303.160.1200.01	1381.40.200.01	1561.100.20.01.2
1260.25.100.E	1306.200.900.01	1303.160.125.01	1381.40.225.01	1561.100.20.01.3
1260.25.100.GLB	1306.32.100.01	1303.160.150.01	1381.40.25.01	1561.100.20.02.1
1260.25.100.M	1306.32.1000.01	1303.160.160.01	1381.40.250.01	1561.100.20.03.1
1260.25.100.MA	1306.32.125.01	1303.160.200.01	1381.40.300.01	1561.100.20.04.1
1260.25.100.ME	1306.32.15.01	1303.160.25.01	1381.40.320.01	1561.100.20.05.1
1260.25.100.X	1306.32.150.01	1303.160.250.01	1381.40.350.01	1561.100.20.06.1
1260.25.1000	1306.32.160.01	1303.160.300.01	1381.40.40.01	1561.100.20.07.1
1260.25.115.M	1306.32.200.01	1303.160.320.01	1381.40.400.01	1561.100.200.01.1
1260.25.120	1306.32.25.01	1303.160.350.01	1381.40.450.01	1561.100.200.02.1
1260.25.120.M	1306.32.25.02	1303.160.40.01V	1381.40.50.01	1561.100.200.03.1
1260.25.125	1306.32.250.01	1303.160.400.01	1381.40.500.01	1561.100.200.04.1
1260.25.125.A	1306.32.300.01	1303.160.450.01	1381.40.550.01	1561.100.25.01.1
1260.25.125.GLB	1306.32.320.01	1303.160.50.01	1381.40.600.01	1561.100.25.01.2
1260.25.125.M	1306.32.350.01	1303.160.500.01	1381.40.700.01	1561.100.25.01.3
1260.25.125.MA	1306.32.400.01	1303.160.560.01V	1381.40.75.01	1561.100.25.02.1
1260.25.1250	1306.32.420.01	1303.160.600.01	1381.40.80.01	1561.100.25.03.1
1260.25.130	1306.32.450.01	1303.160.700.01	1381.40.800.01	1561.100.25.04.1
1260.25.130.M	1306.32.50.01	1303.160.75.01	1381.40.900.01	1561.100.25.05.1
1260.25.1300.M	1306.32.500.01	1303.160.80.01	1381.50.100.01	1561.100.25.06.1
1260.25.1300.MA	1306.32.60.01	1303.160.800.01	1381.50.1000.01	1561.100.25.07.1
1260.25.140	1306.32.600.01	1303.160.900.01	1381.50.125.01	1561.100.25.C
1260.25.140.M	1306.32.700.01	1303.200.03F	1381.50.150.01	1561.100.250.01.1
1260.25.140.ME	1306.32.75.01	1303.200.04F	1381.50.160.01	1561.100.250.02.1

1260.25.15	1306.32.790.01	1303.200.05F	1381.50.200.01	1561.100.250.03.1
1260.25.15.A	1306.32.80.01	1303.200.06F	1381.50.205.01	1561.100.250.04.1
1260.25.15.E	1306.32.800.01	1303.200.08F	1381.50.25.01	1561.100.30.01.1
1260.25.15.M	1306.32.85.01	1303.200.09F	1381.50.250.01	1561.100.30.02.1
1260.25.15.X	1306.32.900.01	1303.200.100.01	1381.50.300.01	1561.100.30.03.1
1260.25.150	1306.40.100.01	1303.200.1000.01	1381.50.320.01	1561.100.30.04.1
1260.25.150.A	1306.40.1000.01	1303.200.10F	1381.50.350.01	1561.100.30.05.1
1260.25.150.E	1306.40.120.01V	1303.200.11F	1381.50.400.01	1561.100.30.06.1
1260.25.150.GLB	1306.40.125.01	1303.200.125.01	1381.50.450.01	1561.100.30.07.1
1260.25.150.M	1306.40.130.01	1303.200.150.01	1381.50.50.01	1561.100.300.01.1
1260.25.150.MA	1306.40.1400.01	1303.200.160.01	1381.50.500.01	1561.100.300.02.1
1260.25.150.ME	1306.40.150.01	1303.200.175.01	1381.50.600.01	1561.100.300.03.1
1260.25.150.T	1306.40.160.01	1303.200.200.01	1381.50.700.01	1561.100.300.04.1
1260.25.1500.MA	1306.40.160.01V	1303.200.240.01	1381.50.75.01	1561.100.320.01.1
1260.25.155	1306.40.200.01	1303.200.25.01	1381.50.75.50.E	1561.100.320.02.1
1260.25.160	1306.40.25.01	1303.200.250.01	1381.50.80.01	1561.100.320.03.1
1260.25.160.A	1306.40.250.01	1303.200.300.01	1381.50.800.01	1561.100.320.04.1
1260.25.160.GLB	1306.40.300.01	1303.200.320.01	1381.50.900.01	1561.100.35.01.1
1260.25.160.M	1306.40.320.01	1303.200.350.01	1381.63.100.01	1561.100.35.02.1
1260.25.160.MA	1306.40.350.01	1303.200.400.01	1381.63.1000.01	1561.100.35.03.1
1260.25.160.ME	1306.40.400.01	1303.200.450.01	1381.63.1200.01	1561.100.35.04.1
1260.25.170	1306.40.45.01	1303.200.480.01V	1381.63.125.01	1561.100.35.05.1
1260.25.180	1306.40.450.01	1303.200.50.01	1381.63.1250.01	1561.100.35.06.1
1260.25.180.M	1306.40.50.01	1303.200.500.01	1381.63.150.01	1561.100.35.07.1
1260.25.190	1306.40.500.01	1303.200.600.01	1381.63.160.01	1561.100.350.01.1
1260.25.190.M	1306.40.600.01	1303.200.700.01	1381.63.1800.01	1561.100.350.02.1
1260.25.20	1306.40.700.01	1303.200.75.01	1381.63.200.01	1561.100.350.03.1
1260.25.20.X	1306.40.75.01	1303.200.80.01	1381.63.200.25.1E	1561.100.350.04.1
1260.25.200	1306.40.790.01	1303.200.800.01	1381.63.225.01	1561.100.40.01.1
1260.25.200.A	1306.40.80.01	1303.200.900.01	1381.63.25.01	1561.100.40.02.1
1260.25.200.AX	1306.40.800.01	1303.32.03F	1381.63.250.01	1561.100.40.03.1
1260.25.200.E	1306.40.90.01	1303.32.04F	1381.63.251.200.E	1561.100.40.04.1
1260.25.200.GLB	1306.40.900.01	1303.32.05/1F	1381.63.260.01	1561.100.40.05.1
1260.25.200.M	1306.50.100.01	1303.32.05F	1381.63.300.01	1561.100.40.06.1
1260.25.200.MA	1306.50.1000.01	1303.32.06F	1381.63.320.01	1561.100.40.07.1
1260.25.200.ME	1306.50.125.01	1303.32.07F	1381.63.350.01	1561.100.400.01.1
1260.25.200.MV	1306.50.1300.01	1303.32.08F	1381.63.40.01	1561.100.400.02.1
1260.25.210	1306.50.150.01	1303.32.09F	1381.63.400.01	1561.100.400.03.1
1260.25.210.M	1306.50.160.01	1303.32.10.01	1381.63.450.01	1561.100.400.04.1
1260.25.220	1306.50.200.01	1303.32.100.01	1381.63.50.01	1561.100.45.01.1
1260.25.225	1306.50.25.01	1303.32.100.01A	1381.63.500.01	1561.100.45.02.1
1260.25.225.ME	1306.50.250.01	1303.32.1000.01	1381.63.600.01	1561.100.45.03.1
1260.25.230.M	1306.50.30.01	1303.32.1000.01A	1381.63.700.01	1561.100.45.04.1
1260.25.230.MA	1306.50.300.01	1303.32.10F	1381.63.75.01	1561.100.45.05.1
1260.25.240	1306.50.300.01V	1303.32.11F	1381.63.80.01	1561.100.45.06.1
1260.25.25	1306.50.320.01	1303.32.120.01	1381.63.800.01	1561.100.45.07.1
1260.25.25.A	1306.50.350.01	1303.32.125.01	1381.63.900.01	1561.100.450.01.1
1260.25.25.E	1306.50.400.01	1303.32.125.01A	1381.80.100.01	1561.100.450.02.1
1260.25.25.GLB	1306.50.400.01V	1303.32.150.01	1381.80.1000.01	1561.100.450.03.1
1260.25.25.M	1306.50.450.01	1303.32.150.01A	1381.80.125.01	1561.100.450.04.1
1260.25.25.MA	1306.50.50.01	1303.32.160.01	1381.80.150.01	1561.100.5.01.1
1260.25.25.ME	1306.50.500.01	1303.32.160.01A	1381.80.160.01	1561.100.5.01.2
1260.25.25.X	1306.50.55.01	1303.32.200.01	1381.80.200.01	1561.100.5.01.3

1260.25.250	1306.50.600.01	1303.32.200.01A	1381.80.25.01	1561.100.5.02.1
1260.25.250.E	1306.50.600.01V	1303.32.25.01	1381.80.250.01	1561.100.5.03.1
1260.25.250.GLB	1306.50.650.01	1303.32.25.01A	1381.80.250.01B	1561.100.5.04.1
1260.25.250.M	1306.50.700.01	1303.32.25.02	1381.80.300.01	1561.100.5.05.1
1260.25.250.MA	1306.50.75.01	1303.32.250.01	1381.80.300.01B	1561.100.5.06.1
1260.25.250.ME	1306.50.80.01	1303.32.250.01A	1381.80.320.01	1561.100.5.07.1
1260.25.260.A	1306.50.800.01	1303.32.300.01	1381.80.320.01B	1561.100.5.5.C
1260.25.260.M	1306.50.900.01	1303.32.300.01A	1381.80.350.01	1561.100.50.01.1
1260.25.270	1306.63.100.01	1303.32.320.01	1381.80.400.01	1561.100.50.02.1
1260.25.270.MA	1306.63.1000.01	1303.32.320.01A	1381.80.450.01	1561.100.50.03.1
1260.25.275.ME	1306.63.125.01	1303.32.350.01	1381.80.50.01	1561.100.50.04.1
1260.25.280.M	1306.63.150.01	1303.32.350.01A	1381.80.500.01	1561.100.50.05.1
1260.25.280.MA	1306.63.160.01	1303.32.40.01	1381.80.600.01	1561.100.50.06.1
1260.25.30	1306.63.200.01	1303.32.400.01	1381.80.700.01	1561.100.50.07.1
1260.25.30.A	1306.63.25.01	1303.32.400.01A	1381.80.75.01	1561.100.500.01.1
1260.25.30.E	1306.63.250.01	1303.32.45.01	1381.80.80.01	1561.100.500.02.1
1260.25.30.M	1306.63.300.01	1303.32.450.01	1381.80.800.01	1561.100.500.03.1
1260.25.30.MAX	1306.63.300.01V	1303.32.450.01A	1381.80.900.01	1561.100.500.04.1
1260.25.30.ME	1306.63.320.01	1303.32.50.01	1382.100.100.01	1561.100.55.01.1
1260.25.300	1306.63.350.01	1303.32.50.01A	1382.100.1000.01	1561.100.55.02.1
1260.25.300.A	1306.63.40.02	1303.32.500.01	1382.100.125.01	1561.100.55.03.1
1260.25.300.E	1306.63.400.01	1303.32.500.01A	1382.100.150.01	1561.100.55.04.1
1260.25.300.M	1306.63.450.01	1303.32.600.01	1382.100.160.01	1561.100.55.05.1
1260.25.300.MA	1306.63.50.01	1303.32.600.01A	1382.100.200.01	1561.100.55.06.1
1260.25.310	1306.63.500.01	1303.32.700.01	1382.100.25.01	1561.100.55.07.1
1260.25.315.MA	1306.63.58.01	1303.32.700.01A	1382.100.250.01	1561.100.60.01.1
1260.25.320	1306.63.600.01	1303.32.75.01	1382.100.300.01	1561.100.60.02.1
1260.25.320.GLB	1306.63.650.01	1303.32.75.01A	1382.100.320.01	1561.100.60.03.1
1260.25.320.M	1306.63.700.01	1303.32.80.01	1382.100.350.01	1561.100.60.04.1
1260.25.325	1306.63.720.01	1303.32.80.01A	1382.100.400.01	1561.100.60.05.1
1260.25.35	1306.63.75.01	1303.32.800.01	1382.100.450.01	1561.100.60.06.1
1260.25.35.M	1306.63.75.02	1303.32.800.01A	1382.100.50.01	1561.100.60.07.1
1260.25.35.MA	1306.63.75.75.1E	1303.32.900.01	1382.100.500.01	1561.100.65.01.1
1260.25.350	1306.63.750.01	1303.32.900.01A	1382.100.600.01	1561.100.65.02.1
1260.25.350.E	1306.63.80.01	1303.40.03F	1382.100.700.01	1561.100.65.03.1
1260.25.350.M	1306.63.800.01	1303.40.04F	1382.100.75.01	1561.100.65.04.1
1260.25.350.MA	1306.63.90.01	1303.40.05/1F	1382.100.80.01	1561.100.65.05.1
1260.25.360.M	1306.63.900.01	1303.40.05F	1382.100.800.01	1561.100.65.06.1
1260.25.40	1306.80.100.01	1303.40.06F	1382.100.90.01	1561.100.65.07.1
1260.25.40.A	1306.80.1000.01	1303.40.07F	1382.100.900.01	1561.100.70.01.1
1260.25.40.M	1306.80.125.01	1303.40.08F	1382.32.100.01	1561.100.70.02.1
1260.25.40.MA	1306.80.1250.01	1303.40.09F	1382.32.1000.01	1561.100.70.03.1
1260.25.40.ME	1306.80.150.01	1303.40.100.01	1382.32.125.01	1561.100.70.04.1
1260.25.400	1306.80.1500.01	1303.40.100.01A	1382.32.150.01	1561.100.70.05.1
1260.25.400.E	1306.80.160.01	1303.40.100.02	1382.32.160.01	1561.100.70.06.1
1260.25.400.GLB	1306.80.1800.01	1303.40.1000.01	1382.32.200.01	1561.100.70.07.1
1260.25.400.M	1306.80.200.01	1303.40.1000.01A	1382.32.25.01	1561.100.700.02.1
1260.25.400.MA	1306.80.25.01	1303.40.10F	1382.32.250.01	1561.100.75.01.1
1260.25.400.ME	1306.80.250.01	1303.40.1168.01	1382.32.300.01	1561.100.75.02.1
1260.25.410	1306.80.300.01	1303.40.11F	1382.32.320.01	1561.100.75.03.1
1260.25.420.MA	1306.80.320.01	1303.40.120.01	1382.32.350.01	1561.100.75.04.1
1260.25.420.MT	1306.80.350.01	1303.40.1200.01	1382.32.40.01	1561.100.75.05.1
1260.25.45.E	1306.80.400.01	1303.40.125.01	1382.32.400.01	1561.100.75.06.1

1260.25.450	1306.80.450.01	1303.40.125.01A	1382.32.450.01	1561.100.75.07.1
1260.25.450.E	1306.80.50.01	1303.40.125.02	1382.32.50.01	1561.100.80.01.1
1260.25.450.GLB	1306.80.500.01	1303.40.1275.01	1382.32.500.01	1561.100.80.02.1
1260.25.450.M	1306.80.600.01	1303.40.130.01	1382.32.600.01	1561.100.80.03.1
1260.25.450.MA	1306.80.700.01	1303.40.1390.01	1382.32.700.01	1561.100.80.04.1
1260.25.475.A	1306.80.75.01	1303.40.150.01	1382.32.75.01	1561.100.80.05.1
1260.25.475.MA	1306.80.80.01	1303.40.150.01A	1382.32.80.01	1561.100.80.06.1
1260.25.483.M	1306.80.800.01	1303.40.160.01	1382.32.800.01	1561.100.80.07.1
1260.25.5	1306.80.900.01	1303.40.160.01A	1382.32.900.01	1561.32.10.01.1
1260.25.5.A	1306.A	1303.40.1800.01	1382.40.100.01	1561.32.10.01.2
1260.25.50	1306.B	1303.40.20.01	1382.40.1000.01	1561.32.10.01.3
1260.25.50.A	1306.C	1303.40.200.01	1382.40.125.01	1561.32.10.02.1
1260.25.50.E	1306.D	1303.40.200.01A	1382.40.150.01	1561.32.10.03.1
1260.25.50.GLB	1307.100.100.01	1303.40.240.01	1382.40.160.01	1561.32.10.04.1
1260.25.50.M	1307.100.1000.01	1303.40.25.01	1382.40.1600.01	1561.32.10.05.1
1260.25.50.MA	1307.100.125.01	1303.40.25.01A	1382.40.1600.01X	1561.32.10.06.1
1260.25.50.ME	1307.100.150.01	1303.40.250.01	1382.40.200.01	1561.32.10.07.1
1260.25.50.T	1307.100.160.01	1303.40.250.01A	1382.40.25.01	1561.32.10.10.1C
1260.25.500	1307.100.200.01	1303.40.300.01	1382.40.250.01	1561.32.10.20.1F
1260.25.500.A	1307.100.25.01	1303.40.300.01A	1382.40.300.01	1561.32.100.01.1
1260.25.500.E	1307.100.250.01	1303.40.300.02	1382.40.320.01	1561.32.100.02.1
1260.25.500.M	1307.100.300.01	1303.40.320.01	1382.40.350.01	1561.32.100.03.1
1260.25.500.MA	1307.100.320.01	1303.40.320.01A	1382.40.400.01	1561.32.100.04.1
1260.25.500.MT	1307.100.350.01	1303.40.35.01	1382.40.450.01	1561.32.100.07.1
1260.25.500.X	1307.100.400.01	1303.40.350.01	1382.40.50.01	1561.32.105.02.1
1260.25.51B	1307.100.450.01	1303.40.350.01A	1382.40.500.01	1561.32.110.40.F
1260.25.51BS	1307.100.50.01	1303.40.360.01AX	1382.40.600.01	1561.32.120.01.1
1260.25.51S	1307.100.500.01	1303.40.400.01	1382.40.700.01	1561.32.125.01.1
1260.25.55.ME	1307.100.600.01	1303.40.400.01A	1382.40.75.01	1561.32.125.02.1
1260.25.60	1307.100.700.01	1303.40.45.01	1382.40.80.01	1561.32.125.03.1
1260.25.60.E	1307.100.75.01	1303.40.450.01	1382.40.800.01	1561.32.125.04.1
1260.25.60.M	1307.100.80.01	1303.40.450.01A	1382.40.900.01	1561.32.15.01.1
1260.25.60.MAVX	1307.100.800.01	1303.40.50.01	1382.50.100.01	1561.32.15.01.2
1260.25.60.ME	1307.100.900.01	1303.40.50.01A	1382.50.1000.01	1561.32.15.01.3
1260.25.600	1307.125.200.01	1303.40.500.01	1382.50.115.01	1561.32.15.02.1
1260.25.600.A	1307.125.25.01	1303.40.500.01A	1382.50.120.50.F	1561.32.15.03.1
1260.25.600.M	1307.125.250.01	1303.40.600.01	1382.50.125.01	1561.32.15.04.1
1260.25.600.MA	1307.125.300.01	1303.40.600.01A	1382.50.150.01	1561.32.15.05.1
1260.25.63.M	1307.125.320.01	1303.40.700.01	1382.50.160.01	1561.32.15.06.1
1260.25.65	1307.125.350.01	1303.40.700.01A	1382.50.200.01	1561.32.15.07.1
1260.25.65.M	1307.125.400.01	1303.40.740.01	1382.50.25.01	1561.32.150.01.1
1260.25.650	1307.125.450.01	1303.40.75.01	1382.50.250.01	1561.32.150.02.1
1260.25.650.MX	1307.125.50.01	1303.40.75.01A	1382.50.250.01X	1561.32.150.03.1
1260.25.70	1307.125.500.01	1303.40.75.02	1382.50.280.01X	1561.32.150.04.1
1260.25.70.M	1307.125.600.01	1303.40.80.01	1382.50.300.01	1561.32.155.75.B
1260.25.700	1307.125.700.01	1303.40.80.01A	1382.50.300.01X	1561.32.190.01.1
1260.25.75	1307.125.75.01	1303.40.800.01	1382.50.320.01	1561.32.20.01.1
1260.25.75.A	1307.125.80.01	1303.40.800.01A	1382.50.350.01	1561.32.20.01.2
1260.25.75.E	1307.125.800.01	1303.40.850.01	1382.50.350.01X	1561.32.20.01.3
1260.25.75.GLB	1307.125.900.01	1303.40.900.01	1382.50.400.01	1561.32.20.02.1
1260.25.75.M	1307.160.100.01	1303.40.900.01A	1382.50.450.01	1561.32.20.03.1
1260.25.75.MA	1307.160.1000.01	1303.40.960.01	1382.50.50.01	1561.32.20.04.1
1260.25.75.V	1307.160.125.01	1303.50.03F	1382.50.500.01	1561.32.20.05.1



1260.25.750	1307.160.150.01	1303.50.04F	1382.50.60.01	1561.32.20.06.1
1260.25.80	1307.160.160.01	1303.50.05/1F	1382.50.600.01	1561.32.20.07.1
1260.25.80.A	1307.160.200.01	1303.50.05F	1382.50.700.01	1561.32.200.01.1
1260.25.80.E	1307.160.25.01	1303.50.06F	1382.50.75.01	1561.32.200.02.1
1260.25.80.M	1307.160.250.01	1303.50.07F	1382.50.80.01	1561.32.200.03.1
1260.25.80.MA	1307.160.300.01	1303.50.08F	1382.50.800.01	1561.32.200.04.1
1260.25.80.ME	1307.160.320.01	1303.50.09F	1382.50.900.01	1561.32.25.01.1
1260.25.80.MV	1307.160.350.01	1303.50.100.01	1382.63.100.01	1561.32.25.01.2
1260.25.80.V	1307.160.400.01	1303.50.100.01A	1382.63.1000.01	1561.32.25.01.3
1260.25.80.X	1307.160.450.01	1303.50.1000.01	1382.63.125.01	1561.32.25.02.1
1260.25.800	1307.160.50.01	1303.50.1000.01A	1382.63.150.01	1561.32.25.03.1
1260.25.840.MA	1307.160.500.01	1303.50.10F	1382.63.160.01	1561.32.25.04.1
1260.25.90.MA	1307.160.600.01	1303.50.11F	1382.63.200.01	1561.32.25.05.1
1260.25.900	1307.160.700.01	1303.50.120.01	1382.63.25.01	1561.32.25.06.1
1260.25.95	1307.160.75.01	1303.50.125.01	1382.63.250.01	1561.32.25.07.1
1260.25.F	1307.160.80.01	1303.50.125.01A	1382.63.300.01	1561.32.25.N
1260.32.10	1307.160.800.01	1303.50.135.01	1382.63.320.01	1561.32.250.01.1
1260.32.10.M	1307.160.900.01	1303.50.1390.01	1382.63.350.01	1561.32.250.02.1
1260.32.100	1307.200.100.01	1303.50.150.01	1382.63.400.01	1561.32.250.03.1
1260.32.100.A	1307.200.1000.01	1303.50.150.01A	1382.63.450.01	1561.32.250.04.1
1260.32.100.AM	1307.200.150.01	1303.50.1500.01	1382.63.50.01	1561.32.30.01.1
1260.32.100.AMX	1307.200.160.01	1303.50.160.01	1382.63.500.01	1561.32.30.02.1
1260.32.100.E	1307.200.200.01	1303.50.160.01A	1382.63.600.01	1561.32.30.03.1
1260.32.100.M	1307.200.25.01	1303.50.175.01	1382.63.700.01	1561.32.30.04.1
1260.32.100.MAX	1307.200.250.01	1303.50.1800.01	1382.63.75.01	1561.32.30.05.1
1260.32.1000	1307.200.300.01	1303.50.200.01	1382.63.80.01	1561.32.30.06.1
1260.32.110	1307.200.320.01	1303.50.200.01A	1382.63.800.01	1561.32.30.07.1
1260.32.110.M	1307.200.350.01	1303.50.25.01	1382.63.900.01	1561.32.300.01.1
1260.32.120	1307.200.400.01	1303.50.25.01A	1382.80.100.01	1561.32.300.02.1
1260.32.120.M	1307.200.450.01	1303.50.250.01	1382.80.1000.01	1561.32.300.03.1
1260.32.120.MA	1307.200.50.01	1303.50.250.01A	1382.80.125.01	1561.32.300.04.1
1260.32.1200	1307.200.500.01	1303.50.300.01	1382.80.150.01	1561.32.35.01.1
1260.32.125	1307.200.600.01	1303.50.300.01A	1382.80.157.01	1561.32.35.02.1
1260.32.125.A	1307.200.700.01	1303.50.320.01	1382.80.160.01	1561.32.35.03.1
1260.32.125.E	1307.200.75.01	1303.50.320.01A	1382.80.200.01	1561.32.35.04.1
1260.32.125.M	1307.200.80.01	1303.50.350.01	1382.80.25.01	1561.32.35.05.1
1260.32.125.MA	1307.200.800.01	1303.50.350.01A	1382.80.250.01	1561.32.35.06.1
1260.32.140.M	1307.200.900.01	1303.50.38,5.01	1382.80.300.01	1561.32.35.07.1
1260.32.140.MA	1307.32.100.01	1303.50.38,5.01A	1382.80.320.01	1561.32.40.01.1
1260.32.15	1307.32.1000.01	1303.50.40.01	1382.80.350.01	1561.32.40.02.1
1260.32.15.E	1307.32.125.01	1303.50.400.01	1382.80.400.01	1561.32.40.03.1
1260.32.15.M	1307.32.150.01	1303.50.400.01A	1382.80.450.01	1561.32.40.04.1
1260.32.15.T	1307.32.160.01	1303.50.450.01	1382.80.50.01	1561.32.40.05.1
1260.32.15.X	1307.32.200.01	1303.50.450.01A	1382.80.500.01	1561.32.40.06.1
1260.32.150	1307.32.25.01	1303.50.50.01	1382.80.60.01	1561.32.40.07.1
1260.32.150.A	1307.32.250.01	1303.50.50.01A	1382.80.600.01	1561.32.45.01.1
1260.32.150.E	1307.32.300.01	1303.50.500.01	1382.80.700.01	1561.32.45.02.1
1260.32.150.M	1307.32.320.01	1303.50.500.01A	1382.80.75.01	1561.32.45.03.1
1260.32.150.MA	1307.32.350.01	1303.50.60.01	1382.80.80.01	1561.32.45.04.1
1260.32.150.MAX	1307.32.400.01	1303.50.600.01	1382.80.800.01	1561.32.45.05.1
1260.32.150.ME	1307.32.450.01	1303.50.600.01A	1382.80.900.01	1561.32.45.06.1
1260.32.160	1307.32.50.01	1303.50.650.01	1383.100.100.01	1561.32.45.07.1
1260.32.160.M	1307.32.500.01	1303.50.700.01	1383.100.1000.01	1561.32.5.01.1

1260.32.160.MA	1307.32.600.01	1303.50.700.01A	1383.100.125.01	1561.32.5.01.2
1260.32.160.T	1307.32.700.01	1303.50.75.01	1383.100.150.01	1561.32.5.01.3
1260.32.165	1307.32.75.01	1303.50.750.01	1383.100.160.01	1561.32.5.02.1
1260.32.175	1307.32.80.01	1303.50.80.01	1383.100.200.01	1561.32.5.03.1
1260.32.18	1307.32.800.01	1303.50.800.01	1383.100.25.01	1561.32.5.04.1
1260.32.180.MA	1307.32.900.01	1303.50.800.01A	1383.100.250.01	1561.32.5.05.1
1260.32.190.MA	1307.40.100.01	1303.50.900.01	1383.100.300.01	1561.32.5.06.1
1260.32.20	1307.40.1000.01	1303.50.900.01A	1383.100.320.01	1561.32.5.07.1
1260.32.20.M	1307.40.125.01	1303.63.03F	1383.100.350.01	1561.32.50.01.1
1260.32.200	1307.40.150.01	1303.63.04F	1383.100.400.01	1561.32.50.02.1
1260.32.200.E	1307.40.160.01	1303.63.05/1F	1383.100.450.01	1561.32.50.03.1
1260.32.200.M	1307.40.200.01	1303.63.05F	1383.100.50.01	1561.32.50.04.1
1260.32.200.MA	1307.40.25.01	1303.63.06F	1383.100.500.01	1561.32.50.05.1
1260.32.200.ME	1307.40.250.01	1303.63.07F	1383.100.600.01	1561.32.50.06.1
1260.32.210	1307.40.300.01	1303.63.08F	1383.100.700.01	1561.32.50.07.1
1260.32.220.MA	1307.40.320.01	1303.63.09F	1383.100.75.01	1561.32.50.08.1
1260.32.25	1307.40.350.01	1303.63.100.01	1383.100.80.01	1561.32.55.01.1
1260.32.25.A	1307.40.400.01	1303.63.100.01A	1383.100.800.01	1561.32.55.02.1
1260.32.25.AT	1307.40.450.01	1303.63.1000.01	1383.100.900.01	1561.32.55.03.1
1260.32.25.E	1307.40.50.01	1303.63.1000.01A	1383.32.100.01	1561.32.55.04.1
1260.32.25.M	1307.40.500.01	1303.63.105.01	1383.32.1000.01	1561.32.55.07.1
1260.32.25.MA	1307.40.600.01	1303.63.10F	1383.32.125.01	1561.32.60.01.1
1260.32.25.MT	1307.40.700.01	1303.63.11F	1383.32.150.01	1561.32.60.02.1
1260.32.250	1307.40.75.01	1303.63.125.01	1383.32.160.01	1561.32.60.03.1
1260.32.250.A	1307.40.80.01	1303.63.125.01A	1383.32.200.01	1561.32.60.04.1
1260.32.250.E	1307.40.800.01	1303.63.1300.01	1383.32.25.01	1561.32.60.07.1
1260.32.250.M	1307.40.900.01	1303.63.140.01	1383.32.250.01	1561.32.60.60.C
1260.32.250.MA	1307.40.95.01	1303.63.150.01	1383.32.300.01	1561.32.60.60.D
1260.32.250.ME	1307.50.100.01	1303.63.150.01A	1383.32.320.01	1561.32.60.60.E
1260.32.270.MA	1307.50.1000.01	1303.63.1500.01	1383.32.350.01	1561.32.65.01.1
1260.32.30	1307.50.125.01	1303.63.160.01	1383.32.400.01	1561.32.65.02.1
1260.32.30.A	1307.50.150.01	1303.63.160.01A	1383.32.450.01	1561.32.65.03.1
1260.32.30.E	1307.50.160.01	1303.63.1700.01	1383.32.50.01	1561.32.65.04.1
1260.32.30.M	1307.50.200.01	1303.63.1770.01	1383.32.500.01	1561.32.65.07.1
1260.32.30.MA	1307.50.25.01	1303.63.200.01	1383.32.600.01	1561.32.70.01.1
1260.32.300	1307.50.250.01	1303.63.200.01A	1383.32.700.01	1561.32.70.02.1
1260.32.300.A	1307.50.300.01	1303.63.240.01	1383.32.75.01	1561.32.70.03.1
1260.32.300.E	1307.50.320.01	1303.63.25.01	1383.32.80.01	1561.32.70.04.1
1260.32.300.M	1307.50.350.01	1303.63.25.01A	1383.32.800.01	1561.32.70.07.1
1260.32.300.MA	1307.50.400.01	1303.63.250.01	1383.32.900.01	1561.32.75.01.1
1260.32.320	1307.50.450.01	1303.63.250.01A	1383.40.100.01	1561.32.75.02.1
1260.32.320.M	1307.50.50.01	1303.63.250.01AX	1383.40.1000.01	1561.32.75.03.1
1260.32.325	1307.50.500.01	1303.63.300.01	1383.40.125.01	1561.32.75.04.1
1260.32.35	1307.50.600.01	1303.63.300.01A	1383.40.150.01	1561.32.75.07.1
1260.32.35.M	1307.50.700.01	1303.63.320.01	1383.40.160.01	1561.32.80.01.1
1260.32.350	1307.50.800.01	1303.63.320.01A	1383.40.200.01	1561.32.80.02.1
1260.32.350.E	1307.50.900.01	1303.63.350.01	1383.40.25.01	1561.32.80.03.1
1260.32.350.M	1307.63.100.01	1303.63.350.01A	1383.40.250.01	1561.32.80.04.1
1260.32.350.MA	1307.63.1000.01	1303.63.400.01	1383.40.300.01	1561.32.80.07.1
1260.32.360	1307.63.125.01	1303.63.400.01A	1383.40.320.01	1561.40.10.01.1
1260.32.360.A	1307.63.150.01	1303.63.450.01	1383.40.350.01	1561.40.10.01.2
1260.32.360.MA	1307.63.160.01	1303.63.450.01A	1383.40.400.01	1561.40.10.01.3
1260.32.40	1307.63.200.01	1303.63.50.01	1383.40.450.01	1561.40.10.02.1

1260.32.40.M	1307.63.25.01	1303.63.50.01A	1383.40.50.01	1561.40.10.03.1
1260.32.400	1307.63.250.01	1303.63.500.01	1383.40.500.01	1561.40.10.04.1
1260.32.400.A	1307.63.300.01	1303.63.500.01A	1383.40.600.01	1561.40.10.05.1
1260.32.400.E	1307.63.320.01	1303.63.600.01	1383.40.700.01	1561.40.10.06.1
1260.32.400.M	1307.63.350.01	1303.63.600.01A	1383.40.75.01	1561.40.10.07.1
1260.32.400.MA	1307.63.400.01	1303.63.700.01	1383.40.80.01	1561.40.10.10.E
1260.32.400.ME	1307.63.450.01	1303.63.700.01A	1383.40.800.01	1561.40.100.01.1
1260.32.45	1307.63.50.01	1303.63.740.01V	1383.40.900.01	1561.40.100.02.1
1260.32.45.M	1307.63.500.01	1303.63.75.01	1383.50.100.01	1561.40.100.03.1
1260.32.450	1307.63.600.01	1303.63.75.01A	1383.50.1000.01	1561.40.100.04.1
1260.32.450.E	1307.63.700.01	1303.63.80.01	1383.50.125.01	1561.40.100.100.E
1260.32.450.M	1307.63.75.01	1303.63.80.01A	1383.50.150.01	1561.40.110.40.F
1260.32.5	1307.63.80.01	1303.63.800.01	1383.50.160.01	1561.40.125.01.1
1260.32.50	1307.63.800.01	1303.63.800.01A	1383.50.200.01	1561.40.125.02.1
1260.32.50.E	1307.63.900.01	1303.63.900.01	1383.50.25.01	1561.40.125.03.1
1260.32.50.M	1307.80.100.01	1303.63.900.01A	1383.50.250.01	1561.40.125.04.1
1260.32.50.MA	1307.80.1000.01	1303.80.03F	1383.50.300.01	1561.40.130.01.1
1260.32.50.T	1307.80.125.01	1303.80.04F	1383.50.320.01	1561.40.15.01.1
1260.32.500	1307.80.150.01	1303.80.05/1F	1383.50.350.01	1561.40.15.01.2
1260.32.500.A	1307.80.160.01	1303.80.05F	1383.50.400.01	1561.40.15.01.3
1260.32.500.E	1307.80.200.01	1303.80.06F	1383.50.450.01	1561.40.15.02.1
1260.32.500.M	1307.80.25.01	1303.80.07F	1383.50.50.01	1561.40.15.03.1
1260.32.550	1307.80.250.01	1303.80.08F	1383.50.500.01	1561.40.15.04.1
1260.32.60	1307.80.300.01	1303.80.09F	1383.50.600.01	1561.40.15.05.1
1260.32.60.E	1307.80.320.01	1303.80.100.01	1383.50.700.01	1561.40.15.06.1
1260.32.60.M	1307.80.350.01	1303.80.100.01A	1383.50.75.01	1561.40.15.07.1
1260.32.600.A	1307.80.400.01	1303.80.1000.01	1383.50.80.01	1561.40.15.10.A
1260.32.600.MA	1307.80.450.01	1303.80.1000.01A	1383.50.800.01	1561.40.15.13.1E
1260.32.640	1307.80.50.01	1303.80.10F	1383.50.900.01	1561.40.150.01.1
1260.32.650	1307.80.500.01	1303.80.110.01	1383.63.100.01	1561.40.150.02.1
1260.32.655.A	1307.80.600.01	1303.80.11F	1383.63.1000.01	1561.40.150.03.1
1260.32.680	1307.80.700.01	1303.80.125.01	1383.63.125.01	1561.40.150.04.1
1260.32.700.M	1307.80.75.01	1303.80.125.01A	1383.63.150.01	1561.40.150.07.1
1260.32.75	1307.80.80.01	1303.80.1400.01	1383.63.160.01	1561.40.150.140.01.1B
1260.32.75.A	1307.80.800.01	1303.80.150.01	1383.63.200.01	1561.40.20.01.3
1260.32.75.E	1307.80.900.01	1303.80.150.01A	1383.63.25.01	1561.40.20.02.1
1260.32.75.M	1308.100.100.01	1303.80.160.01	1383.63.250.01	1561.40.20.03.1
1260.32.75.MA	1308.100.1000.01	1303.80.160.01A	1383.63.300.01	1561.40.20.04.1
1260.32.750	1308.100.125.01	1303.80.175.01	1383.63.320.01	1561.40.20.05.1
1260.32.80	1308.100.150.01	1303.80.1800.01	1383.63.350.01	1561.40.20.06.1
1260.32.80.E	1308.100.160.01	1303.80.1830.01	1383.63.400.01	1561.40.20.07.1
1260.32.80.M	1308.100.200.01	1303.80.1910.01	1383.63.450.01	1561.40.200.01.1
1260.32.80.MA	1308.100.25.01	1303.80.1920.01	1383.63.50.01	1561.40.200.02.1
1260.32.80.ME	1308.100.250.01	1303.80.200.01	1383.63.500.01	1561.40.200.03.1
1260.32.900.A	1308.100.270.01	1303.80.200.01A	1383.63.600.01	1561.40.200.04.1
1260.32.900.M	1308.100.300.01	1303.80.25.01	1383.63.700.01	1561.40.200.07.1
1260.32F	1308.100.320.01	1303.80.25.01A	1383.63.75.01	1561.40.220.01.1
1260.40.10	1308.100.350.01	1303.80.250.01	1383.63.80.01	1561.40.25.01.1
1260.40.100	1308.100.400.01	1303.80.250.01A	1383.63.800.01	1561.40.25.01.2
1260.40.100.A	1308.100.450.01	1303.80.300.01	1383.63.900.01	1561.40.25.01.3
1260.40.100.E	1308.100.480.01	1303.80.300.01A	1383.80.100.01	1561.40.25.02.1
1260.40.100.M	1308.100.50.01	1303.80.300.01X	1383.80.1000.01	1561.40.25.02.2
1260.40.100.MA	1308.100.500.01	1303.80.320.01	1383.80.125.01	1561.40.25.03.1

1260.40.120	1308.100.600.01	1303.80.320.01A	1383.80.150.01	1561.40.25.04.1
1260.40.125	1308.100.700.01	1303.80.350.01	1383.80.160.01	1561.40.25.05.1
1260.40.125.M	1308.100.75.01	1303.80.350.01A	1383.80.200.01	1561.40.25.06.1
1260.40.125.MA	1308.100.80.01	1303.80.370.01X	1383.80.25.01	1561.40.25.07.1
1260.40.125.MAX	1308.100.800.01	1303.80.400.01	1383.80.250.01	1561.40.25.50.1.A
1260.40.125.MT	1308.100.900.01	1303.80.400.01A	1383.80.300.01	1561.40.25.50.1.B
1260.40.130.A	1308.125.100.01	1303.80.450.01	1383.80.320.01	1561.40.250.01.1
1260.40.15	1308.125.1800.01	1303.80.450.01A	1383.80.350.01	1561.40.250.02.1
1260.40.15.E	1308.125.200.01	1303.80.470.01V	1383.80.400.01	1561.40.250.03.1
1260.40.15.M	1308.125.25.01	1303.80.50.01	1383.80.450.01	1561.40.250.04.1
1260.40.15.T	1308.125.250.01	1303.80.50.01A	1383.80.50.01	1561.40.30.01.1
1260.40.150	1308.125.300.01	1303.80.500.01	1383.80.500.01	1561.40.30.02.1
1260.40.150.A	1308.125.320.01	1303.80.500.01A	1383.80.600.01	1561.40.30.03.1
1260.40.150.E	1308.125.350.01	1303.80.600.01	1383.80.700.01	1561.40.30.04.1
1260.40.150.M	1308.125.400.01	1303.80.600.01A	1383.80.75.01	1561.40.30.05.1
1260.40.160	1308.125.450.01	1303.80.700.01	1383.80.80.01	1561.40.30.06.1
1260.40.160.M	1308.125.50.01	1303.80.700.01A	1383.80.800.01	1561.40.30.07.1
1260.40.20	1308.125.500.01	1303.80.75.01	1383.80.900.01	1561.40.300.01.1
1260.40.20.A	1308.125.600.01	1303.80.75.01A	1384.100.100.01	1561.40.300.02.1
1260.40.20.M	1308.125.700.01	1303.80.80.01	1384.100.1000.01	1561.40.300.03.1
1260.40.200	1308.125.75.01	1303.80.80.01A	1384.100.125.01	1561.40.300.04.1
1260.40.200.A	1308.125.80.01	1303.80.800.01	1384.100.150.01	1561.40.35.01.1
1260.40.200.E	1308.125.800.01	1303.80.800.01A	1384.100.160.01	1561.40.35.02.1
1260.40.200.M	1308.125.900.01	1303.80.85.01	1384.100.200.01	1561.40.35.03.1
1260.40.230.M	1308.160.100.01	1303.80.90.01	1384.100.25.01	1561.40.35.04.1
1260.40.25	1308.160.1000.01	1303.80.900.01	1384.100.250.01	1561.40.35.05.1
1260.40.25.A	1308.160.125.01	1303.80.900.01A	1384.10	1561.40.35.06.1
1260.40.25.E	1308.160.150.01	1304.100.03F	1384.100.320.01	1561.40.35.07.1
1260.40.25.M	1308.160.150.01A	1304.100.04F	1384.100.350.01	1561.40.40.01.1
1260.40.25.T	1308.160.160.01	1304.100.05F	1384.100.400.01	1561.40.40.02.1
1260.40.250	1308.160.200.01	1304.100.08F	1384.100.450.01	1561.40.40.03.1
1260.40.250.E	1308.160.25.01	1304.100.09/1F	1384.100.50.01	1561.40.40.04.1
1260.40.250.M	1308.160.250.01	1304.100.09F	1384.100.500.01	1561.40.40.05.1
1260.40.30	1308.160.300.01	1304.100.100.01	1384.100.600.01	1561.40.40.06.1
1260.40.30.A	1308.160.320.01	1304.100.100.01A	1384.100.700.01	1561.40.40.07.1
1260.40.30.M	1308.160.350.01	1304.100.1000.01	1384.100.75.01	1561.40.45.01.1
1260.40.300	1308.160.360.01	1304.100.1000.01A	1384.100.80.01	1561.40.45.02.1
1260.40.300.A	1308.160.400.01	1304.100.125.01	1384.100.800.01	1561.40.45.03.1
1260.40.300.E	1308.160.450.01	1304.100.125.01A	1384.100.900.01	1561.40.45.04.1
1260.40.300.M	1308.160.50.01	1304.100.150.01	1384.32.100.01	1561.40.45.05.1
1260.40.300.MA	1308.160.500.01	1304.100.150.01A	1384.32.1000.01	1561.40.45.06.1
1260.40.300.MX	1308.160.600.01	1304.100.150.G	1384.32.125.01	1561.40.45.07.1
1260.40.310	1308.160.670.01X	1304.100.160.01	1384.32.150.01	1561.40.48.10.1E
1260.40.320	1308.160.700.01	1304.100.160.01A	1384.32.160.01	1561.40.5.01.1
1260.40.320.M	1308.160.75.01	1304.100.200.01	1384.32.200.01	1561.40.5.01.2
1260.40.3200	1308.160.80.01	1304.100.200.01A	1384.32.25.01	1561.40.5.01.3
1260.40.35.A	1308.160.800.01	1304.100.25.01	1384.32.250.01	1561.40.5.02.1
1260.40.350	1308.160.900.01	1304.100.25.01A	1384.32.300.01	1561.40.5.03.1
1260.40.350.E	1308.200.100.01	1304.100.250.01	1384.32.320.01	1561.40.5.04.1
1260.40.350.M	1308.200.1000.01	1304.100.250.01A	1384.32.350.01	1561.40.5.05.1
1260.40.40	1308.200.125.01	1304.100.300.01	1384.32.400.01	1561.40.5.06.1
1260.40.40.E	1308.200.150.01	1304.100.300.01A	1384.32.450.01	1561.40.5.07.1
1260.40.40.M	1308.200.160.01	1304.100.320.01	1384.32.50.01	1561.40.50.01.1

1260.40.40.X	1308.200.200.01	1304.100.320.01A	1384.32.500.01	1561.40.50.02.1
1260.40.400	1308.200.25.01	1304.100.350.01	1384.32.600.01	1561.40.50.03.1
1260.40.400.A	1308.200.250.01	1304.100.350.01A	1384.32.700.01	1561.40.50.04.1
1260.40.400.E	1308.200.300.01	1304.100.400.01	1384.32.75.01	1561.40.50.05.1
1260.40.400.M	1308.200.320.01	1304.100.400.01A	1384.32.80.01	1561.40.50.06.1
1260.40.45.M	1308.200.350.01	1304.100.450.01	1384.32.800.01	1561.40.50.07.1
1260.40.450	1308.200.400.01	1304.100.450.01A	1384.32.900.01	1561.40.55.01.1
1260.40.450.E	1308.200.450.01	1304.100.50.01	1384.40.100.01	1561.40.55.02.1
1260.40.450.M	1308.200.50.01	1304.100.50.01A	1384.40.1000.01	1561.40.55.03.1
1260.40.50	1308.200.500.01	1304.100.500.01	1384.40.125.01	1561.40.55.04.1
1260.40.50.E	1308.200.600.01	1304.100.500.01A	1384.40.150.01	1561.40.55.07.1
1260.40.50.M	1308.200.700.01	1304.100.600.01	1384.40.160.01	1561.40.60.01.1
1260.40.50.MA	1308.200.75.01	1304.100.600.01A	1384.40.200.01	1561.40.60.02.1
1260.40.500	1308.200.80.01	1304.100.700.01	1384.40.25.01	1561.40.60.03.1
1260.40.500.A	1308.200.800.01	1304.100.700.01A	1384.40.250.01	1561.40.60.04.1
1260.40.500.E	1308.200.900.01	1304.100.75.01	1384.40.300.01	1561.40.60.07.1
1260.40.500.M	1308.32.100.01	1304.100.75.01A	1384.40.320.01	1561.40.65.01.1
1260.40.590.MA	1308.32.1000.01	1304.100.80.01	1384.40.350.01	1561.40.65.02.1
1260.40.60	1308.32.125.01	1304.100.80.01A	1384.40.400.01	1561.40.65.03.1
1260.40.600	1308.32.150.01	1304.100.800.01	1384.40.450.01	1561.40.65.04.1
1260.40.600.A	1308.32.160.01	1304.100.800.01A	1384.40.50.01	1561.40.65.07.1
1260.40.65.MAX	1308.32.200.01	1304.100.900.01	1384.40.500.01	1561.40.70.01.1
1260.40.675.A	1308.32.25.01	1304.100.900.01A	1384.40.600.01	1561.40.70.02.1
1260.40.70	1308.32.250.01	1304.125.03F	1384.40.700.01	1561.40.70.03.1
1260.40.70.M.X	1308.32.300.01	1304.125.04F	1384.40.75.01	1561.40.70.04.1
1260.40.700.A	1308.32.320.01	1304.125.05F	1384.40.80.01	1561.40.70.07.1
1260.40.75	1308.32.350.01	1304.125.08F	1384.40.800.01	1561.40.75.01.1
1260.40.75.E	1308.32.400.01	1304.125.09/1F	1384.40.900.01	1561.40.75.02.1
1260.40.75.M	1308.32.450.01	1304.125.09F	1384.50.100.01	1561.40.75.03.1
1260.40.75.MA	1308.32.50.01	1304.125.1400.01	1384.50.1000.01	1561.40.75.04.1
1260.40.750.MA	1308.32.500.01	1304.125.200.01	1384.50.125.01	1561.40.75.07.1
1260.40.80	1308.32.600.01	1304.125.25.01	1384.50.150.01	1561.40.80.01.1
1260.40.80.E	1308.32.700.01	1304.125.250.01	1384.50.160.01	1561.40.80.02.1
1260.40.80.M	1308.32.75.01	1304.125.285.01	1384.50.200.01	1561.40.80.03.1
1260.40.F	1308.32.80.01	1304.125.300.01	1384.50.25.01	1561.40.80.04.1
1260.50.100	1308.32.800.01	1304.125.320.01	1384.50.250.01	1561.40.80.07.1
1260.50.100.E	1308.32.900.01	1304.125.350.01	1384.50.300.01	1561.40.90.01.1
1260.50.100.M	1308.40.100.01	1304.125.400.01	1384.50.320.01	1561.50.10.01.1
1260.50.110	1308.40.1000.01	1304.125.450.01	1384.50.350.01	1561.50.10.01.2
1260.50.120	1308.40.125.01	1304.125.50.01	1384.50.400.01	1561.50.10.01.3
1260.50.120.M	1308.40.150.01	1304.125.50.H	1384.50.450.01	1561.50.10.02.1
1260.50.125	1308.40.160.01	1304.125.500.01	1384.50.50.01	1561.50.10.02.2
1260.50.125.A	1308.40.200.01	1304.125.60.01A	1384.50.500.01	1561.50.10.03.1
1260.50.15	1308.40.25.01	1304.125.600.01	1384.50.600.01	1561.50.10.04.1
1260.50.15.E	1308.40.250.01	1304.125.700.01	1384.50.700.01	1561.50.10.05.1
1260.50.15.M	1308.40.300.01	1304.125.75.01	1384.50.75.01	1561.50.10.06.1
1260.50.150	1308.40.320.01	1304.125.80.01	1384.50.80.01	1561.50.10.07.1
1260.50.150.E	1308.40.350.01	1304.125.800.01	1384.50.800.01	1561.50.100.01.1
1260.50.150.M	1308.40.400.01	1304.125.900.01	1384.50.900.01	1561.50.100.02.1
1260.50.150.MA	1308.40.450.01	1304.160.03F	1384.63.100.01	1561.50.100.03.1
1260.50.160	1308.40.50.01	1304.160.04F	1384.63.1000.01	1561.50.100.04.1
1260.50.160.M	1308.40.500.01	1304.160.05F	1384.63.125.01	1561.50.100.07.1
1260.50.200	1308.40.600.01	1304.160.08F	1384.63.150.01	1561.50.100.30.B

1260.50.200.E	1308.40.700.01	1304.160.09/1F	1384.63.160.01	1561.50.110.01.1
1260.50.200.M	1308.40.75.01	1304.160.09F	1384.63.200.01	1561.50.110.02.1
1260.50.25	1308.40.80.01	1304.160.100.01	1384.63.25.01	1561.50.120.02.1
1260.50.25.A	1308.40.800.01	1304.160.1000.01	1384.63.250.01	1561.50.125.01.1
1260.50.25.E	1308.40.900.01	1304.160.125.01	1384.63.300.01	1561.50.125.02.1
1260.50.25.M	1308.50.10.01	1304.160.150.01	1384.63.320.01	1561.50.125.03.1
1260.50.250	1308.50.100.01	1304.160.160.01	1384.63.350.01	1561.50.125.04.1
1260.50.250.E	1308.50.1000.01	1304.160.200.01	1384.63.400.01	1561.50.130.01.1
1260.50.250.M	1308.50.125.01	1304.160.25.01	1384.63.450.01	1561.50.15.01.1
1260.50.28	1308.50.150.01	1304.160.250.01	1384.63.50.01	1561.50.15.01.2
1260.50.30	1308.50.160.01	1304.160.300.01	1384.63.500.01	1561.50.15.01.3
1260.50.30.E	1308.50.200.01	1304.160.320.01	1384.63.600.01	1561.50.15.02.1
1260.50.30.MA	1308.50.225.01	1304.160.350.01	1384.63.700.01	1561.50.15.03.1
1260.50.300	1308.50.25.01	1304.160.400.01	1384.63.75.01	1561.50.15.04.1
1260.50.300.E	1308.50.250.01	1304.160.450.01	1384.63.80.01	1561.50.15.05.1
1260.50.300.M	1308.50.300.01	1304.160.50.01	1384.63.800.01	1561.50.15.06.1
1260.50.320	1308.50.320.01	1304.160.500.01	1384.63.900.01	1561.50.15.07.1
1260.50.320.M	1308.50.350.01	1304.160.600.01	1384.80.100.01	1561.50.15.15.1C
1260.50.350	1308.50.400.01	1304.160.700.01	1384.80.1000.01	1561.50.150.01.1
1260.50.350.E	1308.50.450.01	1304.160.75.01	1384.80.125.01	1561.50.150.02.1
1260.50.350.M	1308.50.50.01	1304.160.80.01	1384.80.150.01	1561.50.150.03.1
1260.50.40	1308.50.500.01	1304.160.800.01	1384.80.160.01	1561.50.150.04.1
1260.50.40.M	1308.50.600.01	1304.160.900.01	1384.80.200.01	1561.50.20.01.1
1260.50.400	1308.50.700.01	1304.200.03F	1384.80.25.01	1561.50.20.01.2
1260.50.400.E	1308.50.75.01	1304.200.04F	1384.80.250.01	1561.50.20.01.3
1260.50.400.M	1308.50.800.01	1304.200.05F	1384.80.300.01	1561.50.20.02.1
1260.50.40X	1308.50.900.01	1304.200.08F	1384.80.320.01	1561.50.20.03.1
1260.50.450	1308.63.100.01	1304.200.09/1F	1384.80.350.01	1561.50.20.04.1
1260.50.450.E	1308.63.1000.01	1304.200.09F	1384.80.400.01	1561.50.20.05.1
1260.50.450.M	1308.63.125.01	1304.200.100.01	1384.80.450.01	1561.50.20.06.1
1260.50.50	1308.63.150.01	1304.200.1000.01	1384.80.50.01	1561.50.20.07.1
1260.50.50.E	1308.63.160.01	1304.200.125.01	1384.80.500.01	1561.50.20.20.A
1260.50.50.M	1308.63.200.01	1304.200.150.01	1384.80.600.01	1561.50.200.01.1
1260.50.500	1308.63.25.01	1304.200.160.01	1384.80.700.01	1561.50.200.02.1
1260.50.500.E	1308.63.250.01	1304.200.200.01	1384.80.75.01	1561.50.200.03.1
1260.50.500.M	1308.63.270.01	1304.200.25.01	1384.80.80.01	1561.50.200.04.1
1260.50.55.M	1308.63.300.01	1304.200.250.01	1384.80.800.01	1561.50.25.01.1
1260.50.60	1308.63.320.01	1304.200.300.01	1384.80.900.01	1561.50.25.01.2
1260.50.60.M	1308.63.350.01	1304.200.320.01	1385.100.100.01	1561.50.25.01.3
1260.50.600.A	1308.63.370.01	1304.200.350.01	1385.100.1000.01	1561.50.25.02.1
1260.50.70	1308.63.400.01	1304.200.400.01	1385.100.125.01	1561.50.25.03.1
1260.50.75	1308.63.450.01	1304.200.450.01	1385.100.150.01	1561.50.25.04.1
1260.50.75.E	1308.63.50.01	1304.200.50.01	1385.100.160.01	1561.50.25.05.1
1260.50.75.M	1308.63.50.50.H	1304.200.500.01	1385.100.200.01	1561.50.25.06.1
1260.50.80	1308.63.500.01	1304.200.600.01	1385.100.25.01	1561.50.25.07.1
1260.50.80.M	1308.63.600.01	1304.200.700.01	1385.100.250.01	1561.50.250.01.1
1260.50.840.MA	1308.63.700.01	1304.200.75.01	1385.100.300.01	1561.50.250.02.1
1260.50.E.KIT	1308.63.75.01	1304.200.80.01	1385.100.320.01	1561.50.250.03.1
1260.50.F	1308.63.80.01	1304.200.800.01	1385.100.350.01	1561.50.250.04.1
1261.08.15	1308.63.800.01	1304.200.900.01	1385.100.400.01	1561.50.250.07.1
1261.08.20	1308.63.900.01	1304.32.03F	1385.100.450.01	1561.50.30.01.1
1261.08.25	1308.80.100.01	1304.32.04F	1385.100.50.01	1561.50.30.02.1
1261.08.50	1308.80.1000.01	1304.32.05F	1385.100.500.01	1561.50.30.03.1

1261.08.75	1308.80.125.01	1304.32.08F	1385.100.600.01	1561.50.30.04.1
1261.08.80	1308.80.150.01	1304.32.09/1F	1385.100.700.01	1561.50.30.05.1
1261.10.10	1308.80.160.01	1304.32.09F	1385.100.75.01	1561.50.30.06.1
1261.10.10.M	1308.80.200.01	1304.32.100.01	1385.100.80.01	1561.50.30.07.1
1261.10.100	1308.80.25.01	1304.32.100.01A	1385.100.800.01	1561.50.300.01.1
1261.10.15	1308.80.250.01	1304.32.1000.01	1385.100.900.01	1561.50.300.02.1
1261.10.25	1308.80.300.01	1304.32.1000.01A	1385.32.100.01	1561.50.300.03.1
1261.10.50	1308.80.320.01	1304.32.125.01	1385.32.1000.01	1561.50.300.04.1
1261.10.75	1308.80.350.01	1304.32.125.01A	1385.32.125.01	1561.50.320.01.1
1261.10.80	1308.80.400.01	1304.32.150.01	1385.32.150.01	1561.50.320.02.1
1261.10.80.XT	1308.80.450.01	1304.32.150.01A	1385.32.160.01	1561.50.320.03.1
1261.12.10	1308.80.50.01	1304.32.160.01	1385.32.200.01	1561.50.320.04.1
1261.12.10.M	1308.80.500.01	1304.32.160.01A	1385.32.25.01	1561.50.35.01.1
1261.12.100	1308.80.600.01	1304.32.200.01	1385.32.250.01	1561.50.35.02.1
1261.12.100.E	1308.80.700.01	1304.32.200.01A	1385.32.300.01	1561.50.35.03.1
1261.12.100.M	1308.80.75.01	1304.32.25.01	1385.32.320.01	1561.50.35.04.1
1261.12.15	1308.80.80.01	1304.32.25.01A	1385.32.350.01	1561.50.35.05.1
1261.12.15.E	1308.80.800.01	1304.32.250.01	1385.32.400.01	1561.50.35.06.1
1261.12.15.M	1308.80.900.01	1304.32.250.01A	1385.32.450.01	1561.50.35.07.1
1261.12.150	1310.40.200.01	1304.32.30.01	1385.32.50.01	1561.50.350.01.1
1261.12.150.E	1310.63.75.02	1304.32.300.01	1385.32.500.01	1561.50.350.02.1
1261.12.150.M	1318.100.100.01	1304.32.300.01A	1385.32.600.01	1561.50.350.03.1
1261.12.160	1318.100.1000.01	1304.32.320.01	1385.32.700.01	1561.50.350.04.1
1261.12.160.M	1318.100.125.01	1304.32.320.01A	1385.32.75.01	1561.50.40.01.1
1261.12.20	1318.100.150.01	1304.32.35.01	1385.32.80.01	1561.50.40.02.1
1261.12.200	1318.100.160.01	1304.32.35.02	1385.32.800.01	1561.50.40.03.1
1261.12.200.E	1318.100.200.01	1304.32.350.01	1385.32.900.01	1561.50.40.04.1
1261.12.200.M	1318.100.25.01	1304.32.350.01A	1385.40.100.01	1561.50.40.05.1
1261.12.25	1318.100.250.01	1304.32.400.01	1385.40.1000.01	1561.50.40.06.1
1261.12.25.E	1318.100.300.01	1304.32.400.01A	1385.40.125.01	1561.50.40.07.1
1261.12.25.M	1318.100.320.01	1304.32.45.02	1385.40.150.01	1561.50.40.40.C
1261.12.250	1318.100.350.01	1304.32.450.01	1385.40.160.01	1561.50.400.01.1
1261.12.250.E	1318.100.400.01	1304.32.450.01A	1385.40.200.01	1561.50.400.02.1
1261.12.250.M	1318.100.450.01	1304.32.50.01	1385.40.25.01	1561.50.400.03.1
1261.12.300	1318.100.50.01	1304.32.50.01A	1385.40.250.01	1561.50.400.04.1
1261.12.300.E	1318.100.500.01	1304.32.500.01	1385.40.300.01	1561.50.45.01.1
1261.12.300.M	1318.100.600.01	1304.32.500.01A	1385.40.320.01	1561.50.45.02.1
1261.12.320	1318.100.700.01	1304.32.600.01	1385.40.350.01	1561.50.45.03.1
1261.12.320.M	1318.100.75.01	1304.32.600.01A	1385.40.400.01	1561.50.45.04.1
1261.12.50	1318.100.80.01	1304.32.700.01	1385.40.450.01	1561.50.45.05.1
1261.12.50.E	1318.100.800.01	1304.32.700.01A	1385.40.50.01	1561.50.45.06.1
1261.12.50.M	1318.100.900.01	1304.32.75.01	1385.40.500.01	1561.50.45.07.1
1261.12.75	1318.32.100.01	1304.32.75.01A	1385.40.600.01	1561.50.5.01.1
1261.12.75.E	1318.32.125.01	1304.32.80.01	1385.40.700.01	1561.50.5.01.2
1261.12.75.M	1318.32.150.01	1304.32.80.01A	1385.40.75.01	1561.50.5.01.3
1261.12.80	1318.32.160.01	1304.32.800.01	1385.40.80.01	1561.50.5.02.1
1261.12.80.M	1318.32.200.01	1304.32.800.01A	1385.40.800.01	1561.50.5.03.1
1261.16.100	1318.32.25.01	1304.32.85.02	1385.40.900.01	1561.50.5.04.1
1261.16.100.E	1318.32.250.01	1304.32.900.01	1385.50.100.01	1561.50.5.05.1
1261.16.100.M	1318.32.300.01	1304.32.900.01A	1385.50.1000.01	1561.50.5.06.1
1261.16.100.ME	1318.32.320.01	1304.40.03F	1385.50.125.01	1561.50.5.07.1
1261.16.15	1318.32.350.01	1304.40.04F	1385.50.150.01	1561.50.50.01.1
1261.16.15.E	1318.32.400.01	1304.40.05F	1385.50.160.01	1561.50.50.02.1

1261.16.15.M	1318.32.450.01	1304.40.08F	1385.50.200.01	1561.50.50.03.1
1261.16.150	1318.32.50.01	1304.40.09/1F	1385.50.25.01	1561.50.50.04.1
1261.16.150.E	1318.32.500.01	1304.40.09F	1385.50.250.01	1561.50.50.05.1
1261.16.150.M	1318.32.75.01	1304.40.100.01	1385.50.300.01	1561.50.50.06.1
1261.16.160	1318.32.80.01	1304.40.100.01A	1385.50.320.01	1561.50.50.07.1
1261.16.160.M	1318.40.100.01	1304.40.1000.01	1385.50.350.01	1561.50.540.01.1
1261.16.180.M	1318.40.125.01	1304.40.1000.01A	1385.50.400.01	1561.50.55.01.1
1261.16.20.E	1318.40.150.01	1304.40.125.01	1385.50.450.01	1561.50.55.02.1
1261.16.200	1318.40.160.01	1304.40.125.01A	1385.50.50.01	1561.50.55.03.1
1261.16.200.E	1318.40.200.01	1304.40.150.01	1385.50.500.01	1561.50.55.04.1
1261.16.200.M	1318.40.25.01	1304.40.150.01A	1385.50.600.01	1561.50.55.05.1
1261.16.25	1318.40.250.01	1304.40.160.01	1385.50.700.01	1561.50.55.06.1
1261.16.25.E	1318.40.300.01	1304.40.160.01A	1385.50.75.01	1561.50.55.07.1
1261.16.25.M	1318.40.320.01	1304.40.200.01	1385.50.80.01	1561.50.60.01.1
1261.16.250	1318.40.350.01	1304.40.200.01A	1385.50.800.01	1561.50.60.02.1
1261.16.250.E	1318.40.400.01	1304.40.25.01	1385.50.900.01	1561.50.60.03.1
1261.16.250.M	1318.40.450.01	1304.40.25.01A	1385.63.100.01	1561.50.60.04.1
1261.16.270.M	1318.40.50.01	1304.40.250.01	1385.63.1000.01	1561.50.60.05.1
1261.16.300	1318.40.500.01	1304.40.250.01A	1385.63.125.01	1561.50.60.06.1
1261.16.300.E	1318.40.75.01	1304.40.30.01	1385.63.150.01	1561.50.60.07.1
1261.16.300.M	1318.40.80.01	1304.40.300.01	1385.63.160.01	1561.50.65.01.1
1261.16.320	1318.50.100.01	1304.40.300.01A	1385.63.200.01	1561.50.65.02.1
1261.16.320.M	1318.50.125.01	1304.40.320.01	1385.63.25.01	1561.50.65.03.1
1261.16.37.M	1318.50.150.01	1304.40.320.01A	1385.63.250.01	1561.50.65.04.1
1261.16.40.A	1318.50.160.01	1304.40.35.02	1385.63.300.01	1561.50.65.05.1
1261.16.50	1318.50.200.01	1304.40.350.01	1385.63.320.01	1561.50.65.06.1
1261.16.50.E	1318.50.25.01	1304.40.350.01A	1385.63.350.01	1561.50.65.07.1
1261.16.50.M	1318.50.250.01	1304.40.40.01	1385.63.400.01	1561.50.70.01.1
1261.16.60.M	1318.50.300.01	1304.40.400.01	1385.63.450.01	1561.50.70.02.1
1261.16.75	1318.50.320.01	1304.40.400.01A	1385.63.50.01	1561.50.70.03.1
1261.16.75.E	1318.50.350.01	1304.40.450.01	1385.63.500.01	1561.50.70.04.1
1261.16.75.M	1318.50.400.01	1304.40.450.01A	1385.63.600.01	1561.50.70.05.1
1261.16.80	1318.50.450.01	1304.40.50.01	1385.63.700.01	1561.50.70.06.1
1261.16.80.M	1318.50.50.01	1304.40.50.01A	1385.63.75.01	1561.50.70.07.1
1261.16.90.MA	1318.50.500.01	1304.40.500.01	1385.63.80.01	1561.50.75.01.1
1261.20.06	1318.50.600.01	1304.40.500.01A	1385.63.800.01	1561.50.75.02.1
1261.20.10	1318.50.700.01	1304.40.600.01	1385.63.900.01	1561.50.75.03.1
1261.20.100	1318.50.75.01	1304.40.600.01A	1385.80.100.01	1561.50.75.04.1
1261.20.100.E	1318.50.80.01	1304.40.700.01	1385.80.1000.01	1561.50.75.05.1
1261.20.100.M	1318.63.100.01	1304.40.700.01A	1385.80.125.01	1561.50.75.06.1
1261.20.120	1318.63.125.01	1304.40.75.01	1385.80.150.01	1561.50.75.07.1
1261.20.125	1318.63.150.01	1304.40.75.01A	1385.80.160.01	1561.50.76.04.1
1261.20.130	1318.63.160.01	1304.40.80.01	1385.80.200.01	1561.50.80.01.1
1261.20.15	1318.63.200.01	1304.40.80.01A	1385.80.25.01	1561.50.80.02.1
1261.20.15.A	1318.63.25.01	1304.40.800.01	1385.80.250.01	1561.50.80.03.1
1261.20.15.E	1318.63.250.01	1304.40.800.01A	1385.80.300.01	1561.50.80.04.1
1261.20.15.M	1318.63.300.01	1304.40.90.01	1385.80.320.01	1561.50.80.07.1
1261.20.150	1318.63.320.01	1304.40.900.01	1385.80.350.01	1561.50.80.08.1
1261.20.150.A	1318.63.350.01	1304.40.900.01A	1385.80.400.01	1561.50.90.01.1
1261.20.150.E	1318.63.400.01	1304.50.03F	1385.80.450.01	1561.50.90.01.2
1261.20.150.M	1318.63.450.01	1304.50.04F	1385.80.50.01	1561.50.90.03.1
1261.20.160	1318.63.50.01	1304.50.05F	1385.80.500.01	1561.63.10.01.1
1261.20.160.M	1318.63.500.01	1304.50.08F	1385.80.600.01	1561.63.10.01.2



1261.20.170	1318.63.600.01	1304.50.09/1F	1385.80.700.01	1561.63.10.01.3
1261.20.190	1318.63.700.01	1304.50.09F	1385.80.75.01	1561.63.10.02.1
1261.20.200	1318.63.75.01	1304.50.100.01	1385.80.80.01	1561.63.10.03.1
1261.20.200.E	1318.63.80.01		1385.80.800.01	1561.63.10.04.1
1261.20.200.M	1318.80.100.01		1385.80.900.01	1561.63.10.05.1
1261.20.25	1318.80.125.01	1300.40.14F	1320.80.400.01	1561.63.10.06.1
1261.20.25.E	1318.80.150.01	1300.40.15.01	1320.80.400.GLB	1561.63.10.07.1
1261.20.25.M	1318.80.160.01	1300.40.150.01	1320.80.450.01	1561.63.100.01.1
1261.20.25.MA	1318.80.200.01	1300.40.150.01A	1320.80.450.GLB	1561.63.100.02.1
1261.20.25.X	1318.80.25.01	1300.40.150.01K	1320.80.50.01	1561.63.100.03.1
1261.20.250	1318.80.250.01	1300.40.150.M.01	1320.80.50.GLB	1561.63.100.04.1
1261.20.250.E	1318.80.300.01	1300.40.1500.01	1320.80.500.01	1561.63.120.07.1
1261.20.250.M	1318.80.320.01	1300.40.160.01	1320.80.500.GLB	1561.63.125.01.1
1261.20.300	1318.80.350.01	1300.40.160.01A	1320.80.51B	1561.63.125.02.1
1261.20.300.E	1318.80.400.01	1300.40.1700.01	1320.80.51BS	1561.63.125.03.1
1261.20.300.M	1318.80.450.01	1300.40.175.01	1320.80.51S	1561.63.125.04.1
1261.20.320	1318.80.50.01	1300.40.180.02	1320.80.60.01	1561.63.140.01.1
1261.20.320.M	1318.80.500.01	1300.40.18F	1320.80.600.01	1561.63.140.02.1
1261.20.350	1318.80.600.01	1300.40.20.01	1320.80.600.GLB	1561.63.15.01.1
1261.20.350.E	1318.80.700.01	1300.40.20.01MP	1320.80.700.01	1561.63.15.01.2
1261.20.350.M	1318.80.75.01	1300.40.200.01	1320.80.75.01	1561.63.15.01.3
1261.20.400	1318.80.80.01	1300.40.200.01A	1320.80.75.GLB	1561.63.15.02.1
1261.20.400.E	1318.80.800.01	1300.40.200.01X	1320.80.80.01	1561.63.15.03.1
1261.20.400.M	1318.80.900.01	1300.40.200.M.01	1320.80.800.01	1561.63.15.04.1
1261.20.5	1319.100.10.01	1300.40.210.02A	1320.80.900.01	1561.63.15.05.1
1261.20.50	1319.100.100.01	1300.40.2100.01	1320.A	1561.63.15.06.1
1261.20.50.E	1319.100.100.100.D	1300.40.225.01	1320.AGL	1561.63.15.07.1
1261.20.50.M	1319.100.100.100.E	1300.40.225.02	1320.B	1561.63.150.01.1
1261.20.50.MA	1319.100.1000.01	1300.40.25.01	1320.BGL	1561.63.150.02.1
1261.20.50.X	1319.100.110.01	1300.40.25.01A	1320.C	1561.63.150.03.1
1261.20.75	1319.100.1100.01	1300.40.25.M.01	1320.CGL	1561.63.150.04.1
1261.20.75.A	1319.100.1150.01	1300.40.25.M.TC.01	1320.D	1561.63.150.07.1
1261.20.75.E	1319.100.120.01	1300.40.25.TC.01	1320.E	1561.63.160.02.1
1261.20.75.M	1319.100.120.01V	1300.40.250.01	1320.F	1561.63.180.07.1
1261.20.80	1319.100.1200.01	1300.40.250.01A	1320.U	1561.63.20.01.1
1261.20.80.M	1319.100.125.01	1300.40.250.M.TC.01	1321.100.100.01	1561.63.20.01.2
1261.25.10	1319.100.125.125.E	1300.40.30.01	1321.100.1000.01	1561.63.20.01.3
1261.25.100	1319.100.130.01	1300.40.300.01	1321.100.1100.01	1561.63.20.02.1
1261.25.100.E	1319.100.1300.01	1300.40.300.01A	1321.100.120.01	1561.63.20.03.1
1261.25.100.M	1319.100.1400.01	1300.40.300.01AX	1321.100.1200.01	1561.63.20.04.1
1261.25.110.E	1319.100.15.01	1300.40.300.01X	1321.100.125.01	1561.63.20.05.1
1261.25.12	1319.100.150.01	1300.40.300.02	1321.100.1250.01	1561.63.20.06.1
1261.25.120	1319.100.150.150.E	1300.40.300.M.01	1321.100.130.01	1561.63.20.07.1
1261.25.130	1319.100.160.01	1300.40.300.TC.01	1321.100.135.01	1561.63.200.01.1
1261.25.130.A	1319.100.1600.01	1300.40.320.01	1321.100.1400.01	1561.63.200.02.1
1261.25.130.M	1319.100.1700.01	1300.40.320.01A	1321.100.150.01	1561.63.200.03.1
1261.25.140	1319.100.175.01	1300.40.35.01A	1321.100.150.02	1561.63.200.04.1
1261.25.145.MA	1319.100.1750.01B	1300.40.350.01	1321.100.1500.01	1561.63.25.01.1
1261.25.15	1319.100.180.01	1300.40.350.01A	1321.100.160.01	1561.63.25.01.2
1261.25.15.E	1319.100.1800.01	1300.40.350.M.01	1321.100.1600.01	1561.63.25.01.3
1261.25.15.M	1319.100.20.01	1300.40.375.TC.01	1321.100.170.01	1561.63.25.02.1
1261.25.150	1319.100.200.01	1300.40.380.01	1321.100.1700.01	1561.63.25.03.1
1261.25.150.E	1319.100.200.G	1300.40.40.01	1321.100.175.01	1561.63.25.04.1

1261.25.150.M	1319.100.25.01	1300.40.40.02M	1321.100.1750.01	1561.63.25.05.1
1261.25.160	1319.100.250.01	1300.40.400.01	1321.100.1780.01	1561.63.25.06.1
1261.25.160.M	1319.100.275.01	1300.40.400.01A	1321.100.1800.01	1561.63.25.07.1
1261.25.160.X	1319.100.280.01	1300.40.400.01X	1321.100.20.01	1561.63.250.01.1
1261.25.170.MA	1319.100.30.01	1300.40.400.M.01	1321.100.200.01	1561.63.250.02.1
1261.25.190.X	1319.100.300.01	1300.40.420.01	1321.100.2000.01	1561.63.250.03.1
1261.25.200	1319.100.300.15.F	1300.40.450.01	1321.100.2200.01V	1561.63.250.04.1
1261.25.200.E	1319.100.320.01	1300.40.450.01A	1321.100.230.01	1561.63.250.07.1
1261.25.200.M	1319.100.330.01	1300.40.50.01	1321.100.25.01	1561.63.30.01.1
1261.25.210	1319.100.350.01	1300.40.50.01A	1321.100.25.01V	1561.63.30.02.1
1261.25.220	1319.100.380.01	1300.40.50.01MA	1321.100.250.01	1561.63.30.03.1
1261.25.25	1319.100.40.01	1300.40.500.01	1321.100.250.01V	1561.63.30.04.1
1261.25.25.E	1319.100.40.01V	1300.40.500.01A	1321.100.250.01X	1561.63.30.05.1
1261.25.25.M	1319.100.400.01	1300.40.55.01	1321.100.2500.01	1561.63.30.06.1
1261.25.250	1319.100.400.01B	1300.40.550.01	1321.100.280.01	1561.63.30.07.1
1261.25.250.E	1319.100.415.01B	1300.40.590.01	1321.100.290.01	1561.63.300.01.1
1261.25.250.M	1319.100.430.01	1300.40.60.01	1321.100.300.01	1561.63.300.02.1
1261.25.30	1319.100.450.01	1300.40.600.01	1321.100.300.01X	1561.63.300.03.1
1261.25.300	1319.100.50.01	1300.40.600.01A	1321.100.310.01	1561.63.300.04.1
1261.25.300.E	1319.100.50.G	1300.40.600.02	1321.100.315.01	1561.63.320.01.1
1261.25.300.M	1319.100.500.01	1300.40.65.01	1321.100.320.01	1561.63.320.02.1
1261.25.320	1319.100.560.01	1300.40.675.01	1321.100.350.01	1561.63.320.03.1
1261.25.320.M	1319.100.60.01	1300.40.70.TC.01	1321.100.350.01X	1561.63.320.04.1
1261.25.350	1319.100.600.01	1300.40.700.01	1321.100.390.01	1561.63.35.01.1
1261.25.350.E	1319.100.65.01	1300.40.700.01A	1321.100.400.01	1561.63.35.02.1
1261.25.350.M	1319.100.65.90.E	1300.40.75.01	1321.100.400.01X	1561.63.35.03.1
1261.25.350.MA	1319.100.650.01	1300.40.75.01A	1321.100.420.01	1561.63.35.04.1
1261.25.40	1319.100.700.01	1300.40.75.G	1321.100.450.01	1561.63.35.05.1
1261.25.400	1319.100.75.01	1300.40.750.01	1321.100.490.01	1561.63.35.06.1
1261.25.400.E	1319.100.750.01	1300.40.80.01	1321.100.50.01	1561.63.35.07.1
1261.25.400.M	1319.100.80.01	1300.40.80.01A	1321.100.500.01	1561.63.350.01.1
1261.25.45	1319.100.800.01	1300.40.800.01	1321.100.60.01	1561.63.350.02.1
1261.25.450	1319.100.85.01	1300.40.800.01A	1321.100.600.01	1561.63.350.03.1
1261.25.450.E	1319.100.850.01	1300.40.810.01	1321.100.650.01	1561.63.350.04.1
1261.25.450.M	1319.100.90.01	1300.40.90.01	1321.100.700.01	1561.63.40.01.1
1261.25.50	1319.100.900.01	1300.40.900.01	1321.100.75.01	1561.63.40.02.1
1261.25.50.E	1319.100.950.01	1300.40.900.01A	1321.100.750.01	1561.63.40.03.1
1261.25.50.M	1319.125.100.01	1300.50.03F	1321.100.80.01	1561.63.40.04.1
1261.25.50.MA	1319.125.1000.01	1300.50.04F	1321.100.800.01	1561.63.40.05.1
1261.25.500	1319.125.1200.01	1300.50.05/1F	1321.100.90.01	1561.63.40.06.1
1261.25.500.E	1319.125.125.01	1300.50.05F	1321.100.900.01	1561.63.40.07.1
1261.25.500.M	1319.125.1250.01	1300.50.06F	1321.125.100.01	1561.63.400.01.1
1261.25.500.MA	1319.125.1300.01	1300.50.07F	1321.125.1000.01	1561.63.400.02.1
1261.25.75	1319.125.150.01	1300.50.08F	1321.125.1070.01	1561.63.400.03.1
1261.25.75.E	1319.125.160.01	1300.50.09F	1321.125.1150.01	1561.63.400.04.1
1261.25.75.M	1319.125.170.01	1300.50.10.01	1321.125.1200.01	1561.63.45.01.1
1261.25.80	1319.125.175.02	1300.50.100.01	1321.125.125.01	1561.63.45.02.1
1261.25.80.M	1319.125.200.01	1300.50.100.01A	1321.125.1250.01	1561.63.45.03.1
1261.25.80.XT	1319.125.210.01	1300.50.100.01V	1321.125.1400.01	1561.63.45.04.1
1261.32.100	1319.125.225.01	1300.50.100.100.E	1321.125.150.01	1561.63.45.05.1
1261.32.100.AM	1319.125.230.01	1300.50.100.G	1321.125.1500.01	1561.63.45.06.1
1261.32.100.E	1319.125.25.01	1300.50.100.M.01	1321.125.1500.01X	1561.63.45.07.1
1261.32.100.M	1319.125.25.02	1300.50.1000.01	1321.125.160.01	1561.63.492.01.1

1261.32.100.MA	1319.125.250.01	1300.50.1000.01A	1321.125.175.01	1561.63.5.01.1
1261.32.116.E	1319.125.30.01	1300.50.1020.M.01	1321.125.180.01	1561.63.5.01.2
1261.32.125	1319.125.300.01	1300.50.1030.01	1321.125.1840.01	1561.63.5.01.3
1261.32.15	1319.125.300.01V	1300.50.1050.01	1321.125.200.01	1561.63.5.02.1
1261.32.15.E	1319.125.320.01	1300.50.10F	1321.125.200.200.1E	1561.63.5.03.1
1261.32.15.M	1319.125.330.01	1300.50.110.01	1321.125.2025.01V	1561.63.5.04.1
1261.32.150	1319.125.350.01	1300.50.115.01	1321.125.240.01	1561.63.5.05.1
1261.32.150.A	1319.125.40.01	1300.50.11F	1321.125.25.01	1561.63.5.06.1
1261.32.150.E	1319.125.400.01	1300.50.120.01	1321.125.250.01	1561.63.5.07.1
1261.32.150.M	1319.125.440.01	1300.50.1200.01	1321.125.270.01	1561.63.50.01.1
1261.32.150.MA	1319.125.450.01	1300.50.125.01	1321.125.275.01	1561.63.50.02.1
1261.32.157	1319.125.450.01B	1300.50.125.01A	1321.125.290.01	1561.63.50.03.1
1261.32.158.A	1319.125.455.01	1300.50.125.TC.01	1321.125.300.01	1561.63.50.04.1
1261.32.160	1319.125.475.01	1300.50.12F	1321.125.300.01X	1561.63.50.05.1
1261.32.160.M	1319.125.480.01	1300.50.13/1F	1321.125.310.01	1561.63.50.06.1
1261.32.200	1319.125.50.01	1300.50.1300.M.01	1321.125.320.01	1561.63.50.07.1
1261.32.200.E	1319.125.50.G	1300.50.13F	1321.125.350.01	1561.63.50.50.E
1261.32.200.M	1319.125.500.01	1300.50.140.01	1321.125.400.01	1561.63.55.01.1
1261.32.220	1319.125.570.01	1300.50.14F	1321.125.450.01	1561.63.55.02.1
1261.32.25	1319.125.60.01	1300.50.15.01	1321.125.50.01	1561.63.55.03.1
1261.32.25.E	1319.125.600.01	1300.50.150.01	1321.125.500.01	1561.63.55.04.1
1261.32.25.M	1319.125.650.01	1300.50.150.01A	1321.125.525.01	1561.63.55.05.1
1261.32.250	1319.125.650.01T	1300.50.150.01K	1321.125.550.01X	1561.63.55.06.1
1261.32.250.E	1319.125.700.01	1300.50.150.01MA	1321.125.550.550.E	1561.63.55.07.1
1261.32.250.M	1319.125.75.01	1300.50.150.01V	1321.125.600.01	1561.63.60.01.1
1261.32.250.X	1319.125.750.01	1300.50.150.01X	1321.125.70.01	1561.63.60.02.1
1261.32.275.M	1319.125.80.01	1300.50.150.M.01	1321.125.700.01	1561.63.60.03.1
1261.32.30	1319.125.800.01	1300.50.160.01	1321.125.75.01	1561.63.60.04.1
1261.32.300	1319.125.840.01	1300.50.160.01A	1321.125.80.01	1561.63.60.05.1
1261.32.300.E	1319.125.850.01	1300.50.175.01	1321.125.800.01	1561.63.60.06.1
1261.32.300.M	1319.125.900.01	1300.50.180.01	1321.125.850.01	1561.63.60.07.1
1261.32.320	1319.125.950.01	1300.50.180.TC.01	1321.125.900.01	1561.63.65.01.1
1261.32.320.M	1319.160.100.01	1300.50.18F	1321.160.100.01	1561.63.65.02.1
1261.32.350	1319.160.1000.01	1300.50.190.01	1321.160.1000.01	1561.63.65.03.1
1261.32.350.E	1319.160.1125.01	1300.50.200.01	1321.160.1150.01	1561.63.65.04.1
1261.32.350.M	1319.160.120.01	1300.50.200.01A	1321.160.1250.01	1561.63.65.05.1
1261.32.380.M	1319.160.125.01	1300.50.200.01X	1321.160.1300.01	1561.63.65.06.1
1261.32.390	1319.160.127.01	1300.50.200.02	1321.160.150.01	1561.63.65.07.1
1261.32.400	1319.160.1400.01	1300.50.200.M.02	1321.160.160.01	1561.63.70.01.1
1261.32.400.E	1319.160.150.01	1300.50.210.02	1321.160.1650.01	1561.63.70.02.1
1261.32.400.M	1319.160.170.01	1300.50.210.02A	1321.160.175.01	1561.63.70.03.1
1261.32.450	1319.160.20.G	1300.50.220.01	1321.160.20.01	1561.63.70.04.1
1261.32.450.E	1319.160.200.01	1300.50.225.01	1321.160.200.01	1561.63.70.05.1
1261.32.450.M	1319.160.220.01	1300.50.25.01	1321.160.2000.01	1561.63.70.06.1
1261.32.50	1319.160.250.01	1300.50.25.01A	1321.160.25.01	1561.63.70.07.1
1261.32.50.E	1319.160.300.01	1300.50.25.02	1321.160.25.02	1561.63.75.01.1
1261.32.50.M	1319.160.320.01	1300.50.25.M.TC.01	1321.160.250.01	1561.63.75.02.1
1261.32.500	1319.160.350.01	1300.50.250.01	1321.160.300.01	1561.63.75.03.1
1261.32.500.E	1319.160.375.01	1300.50.250.01A	1321.160.320.01	1561.63.75.04.1
1261.32.500.M	1319.160.400.01	1300.50.250.01V	1321.160.320.01V	1561.63.75.05.1
1261.32.60	1319.160.450.01	1300.50.270.M.01	1321.160.350.01	1561.63.75.06.1
1261.32.60.M	1319.160.50.01	1300.50.30.01	1321.160.400.01	1561.63.75.07.1
1261.32.60.MA	1319.160.50.G	1300.50.30.01A	1321.160.460.01	1561.63.80.01.1

1261.32.70.MA	1319.160.500.01	1300.50.30.01MA	1321.160.50.01	1561.63.80.02.1
1261.32.75	1319.160.550.01	1300.50.300.01	1321.160.500.01	1561.63.80.03.1
1261.32.75.E	1319.160.575.01	1300.50.300.01A	1321.160.600.01	1561.63.80.04.1
1261.32.75.M	1319.160.70.01	1300.50.300.01X	1321.160.650.01	1561.63.80.07.1
1261.32.80	1319.160.750.01	1300.50.300.M.01	1321.160.700.01	1561.63.80.20.1.A
1261.32.80.M	1319.160.80.01	1300.50.300.TC.01	1321.160.750.01	1561.80.10.01.1
1261.40.100	1319.160.90.30.F	1300.50.310.01	1321.160.800.01	1561.80.10.01.2
1261.40.100.E	1319.200.100.01	1300.50.320.01	1321.160.900.01	1561.80.10.01.3
1261.40.100.M	1319.200.100.02	1300.50.320.01A	1321.200.100.01	1561.80.10.02.1
1261.40.15	1319.200.120.01	1300.50.35.01	1321.200.1200.01	1561.80.10.03.1
1261.40.15.E	1319.200.150.01	1300.50.35.01.MA	1321.200.1300.01	1561.80.10.04.1
1261.40.15.M	1319.200.200.01	1300.50.35.01A	1321.200.250.01	1561.80.10.05.1
1261.40.150	1319.200.200.G	1300.50.35.TC.01	1321.200.30.01	1561.80.10.06.1
1261.40.150.E	1319.200.25.01	1300.50.350.01	1321.200.380.01	1561.80.10.07.1
1261.40.150.M	1319.200.250.01	1300.50.350.01A	1321.200.400.01	1561.80.100.01.1
1261.40.150.MA	1319.200.250.G	1300.50.350.M.01	1321.200.50.01	1561.80.100.02.1
1261.40.160	1319.200.300.01	1300.50.40.01	1321.200.500.01	1561.80.100.03.1
1261.40.160.M	1319.200.400.01	1300.50.400.01	1321.200.750.01	1561.80.100.04.1
1261.40.180	1319.200.50.01	1300.50.400.01A	1321.200.80.01	1561.80.125.01.1
1261.40.200	1319.200.500.01	1300.50.400.01M	1321.200.800.01	1561.80.125.02.1
1261.40.200.E	1319.200.600.01	1300.50.400.01X	1321.32.10.01	1561.80.125.03.1
1261.40.200.M	1319.200.750.01	1300.50.415.01	1321.32.10.02	1561.80.125.04.1
1261.40.200.MA	1319.200.800.01	1300.50.450.01	1321.32.100.01	1561.80.15.01.1
1261.40.230	1319.32.10.01	1300.50.450.01A	1321.32.1000.01	1561.80.15.01.2
1261.40.25	1319.32.100.01	1300.50.450.M.01	1321.32.115.01	1561.80.15.01.3
1261.40.25.E	1319.32.100.02	1300.50.490.01	1321.32.120.01	1561.80.15.02.1
1261.40.25.M	1319.32.1000.01	1300.50.50.01	1321.32.1200.01	1561.80.15.03.1
1261.40.250	1319.32.1050.01	1300.50.50.01A	1321.32.125.01	1561.80.15.04.1
1261.40.250.E	1319.32.1100.01	1300.50.50.01K	1321.32.1300.01	1561.80.15.05.1
1261.40.250.M	1319.32.120.01	1300.50.50.TC.01	1321.32.15.01	1561.80.15.06.1
1261.40.300	1319.32.125.01	1300.50.500.01	1321.32.15.01MP	1561.80.15.07.1
1261.40.300.E	1319.32.125.02	1300.50.500.01A	1321.32.150.01	1561.80.150.01.1
1261.40.300.M	1319.32.1250.01	1300.50.500.01AX	1321.32.150.01B	1561.80.150.02.1
1261.40.310	1319.32.135.01	1300.50.500.M.01	1321.32.160.01	1561.80.150.03.1
1261.40.320	1319.32.1400.01	1300.50.55.01	1321.32.160.01V	1561.80.150.04.1
1261.40.320.M	1319.32.15.01	1300.50.550.01	1321.32.160.160.E	1561.80.150.07.1
1261.40.350	1319.32.15.15.E	1300.50.550.TC.01	1321.32.165.01	1561.80.160.02.1
1261.40.350.E	1319.32.15.15.F	1300.50.560.01	1321.32.20.01	1561.80.20.01.1
1261.40.350.M	1319.32.150.01	1300.50.60.01	1321.32.200.01	1561.80.20.01.2
1261.40.40	1319.32.150.01V	1300.50.600.01	1321.32.200.01X	1561.80.20.01.3
1261.40.400	1319.32.150.01X	1300.50.600.01A	1321.32.25.01	1561.80.20.02.1
1261.40.400.E	1319.32.150.02	1300.50.65.01	1321.32.25.01MA	1561.80.20.03.1
1261.40.400.M	1319.32.1500.01	1300.50.650.01	1321.32.25.01XMP	1561.80.20.04.1
1261.40.450	1319.32.160.01	1300.50.70.01	1321.32.25.25.E	1561.80.20.05.1
1261.40.450.E	1319.32.160.01B	1300.50.700.01	1321.32.250.01	1561.80.20.06.1
1261.40.450.M	1319.32.170.01	1300.50.700.01A	1321.32.280.01	1561.80.20.07.1
1261.40.50	1319.32.175.01	1300.50.715.01	1321.32.295.01	1561.80.200.01.1
1261.40.50.E	1319.32.180.01	1300.50.75.01	1321.32.30.01	1561.80.200.02.1
1261.40.50.M	1319.32.190.01	1300.50.75.01AX	1321.32.30.01V	1561.80.200.03.1
1261.40.500	1319.32.20.01	1300.50.75.01K	1321.32.300.01	1561.80.200.04.1
1261.40.500.E	1319.32.20.01MA	1300.50.75.01MA	1321.32.320.01	1561.80.25.01.1
1261.40.500.M	1319.32.200.01	1300.50.75.01V	1321.32.35.01	1561.80.25.01.2
1261.40.70	1319.32.200.01X	1300.50.75.M.01	1321.32.350.01	1561.80.25.01.3

1261.40.70.X	1319.32.200.100.F	1300.50.750.01	1321.32.40.01	1561.80.25.02.1
1261.40.75	1319.32.210.01	1300.50.750.01AX	1321.32.40.01MA	1561.80.25.03.1
1261.40.75.E	1319.32.2100.01	1300.50.80.01	1321.32.400.01	1561.80.25.04.1
1261.40.75.M	1319.32.225.01	1300.50.80.01A	1321.32.450.01	1561.80.25.05.1
1261.40.80	1319.32.230.01	1300.50.800.01	1321.32.50.01	1561.80.25.06.1
1261.40.80.M	1319.32.25.01	1300.50.800.01A	1321.32.50.01.MP	1561.80.25.07.1
1261.50.100	1319.32.25.01.MA	1300.50.85.TC.01	1321.32.50.01V	1561.80.250.01.1
1261.50.100.E	1319.32.25.02	1300.50.850.01	1321.32.50.01X	1561.80.250.02.1
1261.50.100.M	1319.32.250.01	1300.50.900.01	1321.32.50.01XMP	1561.80.250.03.1
1261.50.110	1319.32.250.02	1300.50.900.01A	1321.32.50.25.E	1561.80.250.04.1
1261.50.130.MA	1319.32.260.01	1300.50.95.01X	1321.32.500.01	1561.80.30.01.1
1261.50.15	1319.32.270.01	1300.63.03F	1321.32.60.01MA	1561.80.30.02.1
1261.50.15.E	1319.32.275.01	1300.63.04F	1321.32.600.01	1561.80.30.03.1
1261.50.15.M	1319.32.290.40.F	1300.63.05/1F	1321.32.650.01	1561.80.30.04.1
1261.50.150	1319.32.30.01	1300.63.05F	1321.32.70.01	1561.80.30.05.1
1261.50.150.E	1319.32.300.01	1300.63.06F	1321.32.700.01	1561.80.30.06.1
1261.50.150.M	1319.32.300.01V	1300.63.07F	1321.32.75.01	1561.80.30.07.1
1261.50.160	1319.32.300.02	1300.63.08F	1321.32.75.01.MA	1561.80.300.01.1
1261.50.160.M	1319.32.300.300.E	1300.63.09F	1321.32.75.01.MP	1561.80.300.02.1
1261.50.20	1319.32.320.01	1300.63.100.01	1321.32.75.01.T	1561.80.300.03.1
1261.50.200	1319.32.325.01	1300.63.100.01A	1321.32.750.01	1561.80.300.04.1
1261.50.200.E	1319.32.330.01	1300.63.100.01AX	1321.32.8.01	1561.80.320.01.1
1261.50.200.M	1319.32.350.01	1300.63.100.01X	1321.32.80.01	1561.80.320.02.1
1261.50.220	1319.32.350.01V	1300.63.100.50.E	1321.32.800.01	1561.80.320.03.1
1261.50.235.M	1319.32.360.01	1300.63.100.M.01	1321.32.90.01	1561.80.320.04.1
1261.50.25	1319.32.40.01	1300.63.1000.01	1321.32.900.01	1561.80.35.01.1
1261.50.25.E	1319.32.40.20.E	1300.63.1000.01A	1321.40.100.01	1561.80.35.02.1
1261.50.25.M	1319.32.400.01	1300.63.1000.02	1321.40.100.02	1561.80.35.03.1
1261.50.250	1319.32.45.02	1300.63.1000.M.01	1321.40.100.100.E	1561.80.35.04.1
1261.50.250.E	1319.32.450.01	1300.63.10F	1321.40.1000.01	1561.80.35.05.1
1261.50.250.M	1319.32.450.02	1300.63.110.01	1321.40.1040.01	1561.80.35.06.1
1261.50.30	1319.32.490.01	1300.63.110.02	1321.40.1050.01	1561.80.35.07.1
1261.50.30.X	1319.32.50.01	1300.63.1100.01	1321.40.1060.01	1561.80.350.01.1
1261.50.300	1319.32.50.01.MP	1300.63.1100.M.01	1321.40.1100.01	1561.80.350.02.1
1261.50.300.E	1319.32.50.02	1300.63.1110.01	1321.40.115.01	1561.80.350.03.1
1261.50.300.M	1319.32.50.10.F	1300.63.11F	1321.40.120.01	1561.80.350.04.1
1261.50.320	1319.32.500.01	1300.63.120.01	1321.40.1200.01	1561.80.40.01.1
1261.50.320.M	1319.32.550.01	1300.63.1200.01V	1321.40.1200.01X	1561.80.40.02.1
1261.50.350	1319.32.60.01	1300.63.125.01	1321.40.1225.01	1561.80.40.03.1
1261.50.350.E	1319.32.60.02	1300.63.125.01A	1321.40.125.01	1561.80.40.04.1
1261.50.350.M	1319.32.600.01	1300.63.125.01K	1321.40.125.01X	1561.80.40.05.1
1261.50.40	1319.32.620.01	1300.63.12F	1321.40.125.02	1561.80.40.06.1
1261.50.400	1319.32.630.01	1300.63.13/1F	1321.40.1250.01	1561.80.40.07.1
1261.50.400.E	1319.32.65.01	1300.63.13F	1321.40.130.130.E	1561.80.400.01.1
1261.50.400.M	1319.32.650.01	1300.63.1400.01	1321.40.140.01	1561.80.400.02.1
1261.50.450	1319.32.70.01	1300.63.14F	1321.40.1400.01X	1561.80.400.03.1
1261.50.450.E	1319.32.700.01	1300.63.150.01	1321.40.15.01	1561.80.400.04.1
1261.50.450.M	1319.32.75.01	1300.63.150.01A	1321.40.150.01	1561.80.45.01.1
1261.50.50	1319.32.75.01MP	1300.63.150.M.01	1321.40.150.01B	1561.80.45.02.1
1261.50.50.E	1319.32.75.75.E	1300.63.16.01	1321.40.150.01MA	1561.80.45.03.1
1261.50.50.M	1319.32.750.01	1300.63.160.01	1321.40.160.01	1561.80.45.04.1
1261.50.500	1319.32.80.01	1300.63.160.01A	1321.40.1600.01	1561.80.45.05.1
1261.50.500.E	1319.32.80.01MA	1300.63.160.02	1321.40.161.01	1561.80.45.06.1

1261.50.500.M	1319.32.800.01	1300.63.1675.01	1321.40.170.01	1561.80.45.07.1
1261.50.60.MA	1319.32.805.01	1300.63.175.01	1321.40.1700.01	1561.80.450.01.1
1261.50.70.MA	1319.32.85.75.F	1300.63.175.M.TC.01	1321.40.175.01	1561.80.450.02.1
1261.50.75	1319.32.850.01	1300.63.180.01	1321.40.180.01	1561.80.450.03.1
1261.50.75.E	1319.32.875.01	1300.63.18F	1321.40.1800.01	1561.80.450.04.1
1261.50.75.M	1319.32.90.01	1300.63.20.01	1321.40.20.01	1561.80.5.01.1
1261.50.80	1319.32.900.01	1300.63.20.150.1D	1321.40.200.01	1561.80.5.01.2
1261.50.80.M	1319.32.950.01	1300.63.200.01	1321.40.2000.01	1561.80.5.01.3
1262.08 KIT	1319.40.10.01	1300.63.200.01A	1321.40.225.01	1561.80.5.02.1
1262.10.25.M	1319.40.100.01	1300.63.200.02	1321.40.2400.01	1561.80.5.03.1
1262.10.75.M	1319.40.100.02	1300.63.25.01	1321.40.25.01	1561.80.5.04.1
1262.12.100	1319.40.100.50.D	1300.63.25.01A	1321.40.25.01MA	1561.80.5.05.1
1262.12.50.M	1319.40.1000.01	1300.63.250.01	1321.40.25.02	1561.80.5.06.1
1262.16.200	1319.40.1055.01	1300.63.250.01A	1321.40.250.01	1561.80.5.07.1
1262.16.40	1319.40.1100.01	1300.63.250.02	1321.40.250.01X	1561.80.50.01.1
1262.16.50	1319.40.1100.02	1300.63.30.01	1321.40.2500.01	1561.80.50.02.1
1262.20.100	1319.40.1160.01	1300.63.300.01	1321.40.30.01.T	1561.80.50.03.1
1262.20.100.M	1319.40.120.01	1300.63.300.01.AX	1321.40.300.01	1561.80.50.04.1
1262.20.160.M	1319.40.1200.01	1300.63.300.01A	1321.40.3000.01	1561.80.50.05.1
1262.20.25.M	1319.40.125.01	1300.63.300.01X	1321.40.310.01	1561.80.50.06.1
1262.20.60.M	1319.40.125.01B	1300.63.300.M.01	1321.40.320.01	1561.80.50.07.1
1262.20.70	1319.40.125.01T	1300.63.300.TC.01	1321.40.325.02	1561.80.50.25.B
1262.20.80.ME	1319.40.125.02	1300.63.320.01	1321.40.35.01	1561.80.500.01.1
1262.25.100	1319.40.125.125.E	1300.63.320.01A	1321.40.350.01	1561.80.500.02.1
1262.25.125	1319.40.1250.01	1300.63.35.01	1321.40.40.01	1561.80.500.03.1
1262.25.150	1319.40.130.01	1300.63.350.01	1321.40.400.01	1561.80.500.04.1
1262.25.170.MA	1319.40.1350.01	1300.63.350.01A	1321.40.400.01X	1561.80.55.01.1
1262.25.25	1319.40.140.01	1300.63.365.01X	1321.40.450.01	1561.80.55.02.1
1262.25.25.M	1319.40.1400.02	1300.63.40.01	1321.40.50.01	1561.80.55.03.1
1262.25.25.MA	1319.40.15.01	1300.63.400.01	1321.40.50.01MA	1561.80.55.04.1
1262.25.30.M	1319.40.150.01	1300.63.400.01A	1321.40.50.02	1561.80.55.05.1
1262.25.30.M.A	1319.40.150.01B	1300.63.430.01	1321.40.50.50.E	1561.80.55.06.1
1262.25.40	1319.40.1500.01	1300.63.430.01AX	1321.40.500.01	1561.80.55.07.1
1262.25.40.M	1319.40.160.01	1300.63.450.01	1321.40.550.01	1561.80.60.01.1
1262.25.50	1319.40.1600.01	1300.63.450.01A	1321.40.60.01	1561.80.60.02.1
1262.25.50.A	1319.40.165.01	1300.63.50.01	1321.40.600.01	1561.80.60.03.1
1262.25.50.M	1319.40.175.01	1300.63.50.01.X	1321.40.620.01	1561.80.60.04.1
1262.25.50.MA	1319.40.185.01	1300.63.50.01A	1321.40.685.01	1561.80.60.05.1
1262.25.75.E	1319.40.20.01	1300.63.50.02	1321.40.70.01	1561.80.60.06.1
1262.32.100	1319.40.20.02	1300.63.50.M.01	1321.40.700.01	1561.80.60.07.1
1262.32.200	1319.40.200.01	1300.63.500.01	1321.40.75.01	1561.80.65.01.1
1262.32.200.A	1319.40.200.01B	1300.63.500.01A	1321.40.75.01MP	1561.80.65.02.1
1262.32.200.MA	1319.40.200.150.D	1300.63.550.01	1321.40.75.50.E	1561.80.65.03.1
1262.32.25	1319.40.200.150.E	1300.63.550.M.01	1321.40.75.75.E	1561.80.65.04.1
1262.32.30	1319.40.200.200.D	1300.63.600.01	1321.40.750.01	1561.80.65.05.1
1262.32.50.M	1319.40.220.01	1300.63.600.01A	1321.40.80.01	1561.80.65.06.1
1262.32.75	1319.40.230.01	1300.63.65.01	1321.40.80.01X	1561.80.65.07.1
1262.40 KIT	1319.40.240.01	1300.63.650.01	1321.40.800.01	1561.80.70.01.1
1262.40.1000	1319.40.25.01	1300.63.70.01	1321.40.85.01	1561.80.70.02.1
1262.40.200	1319.40.25.01MA	1300.63.700.01	1321.40.850.01	1561.80.70.03.1
1262.40.25	1319.40.25.02	1300.63.700.01A	1321.40.90.01	1561.80.70.04.1
1262.40.350	1319.40.250.01	1300.63.75.01	1321.40.900.01	1561.80.70.05.1
1262.40.75	1319.40.250.02	1300.63.75.01A	1321.40.950.01	1561.80.70.06.1

1262.40.80	1319.40.270.01	1300.63.75.M.01	1321.40.980.01	1561.80.70.07.1
1262.50 KIT	1319.40.275.01	1300.63.750.01	1321.50.100.01	1561.80.75.01.1
1271.08.25	1319.40.280.01	1300.63.750.01.X	1321.50.100.01XV	1561.80.75.02.1
1271.08.50	1319.40.30.01	1300.63.750.01AX	1321.50.1000.01	1561.80.75.03.1
1271.10.15	1319.40.30.02	1300.63.780.01X	1321.50.1000.01B	1561.80.75.04.1
1271.10.25	1319.40.300.01	1300.63.80.01	1321.50.1000.01V	1561.80.75.05.1
1271.12.10	1319.40.300.01B	1300.63.80.01A	1321.50.1000.01X	1561.80.75.06.1
1271.12.15	1319.40.320.01	1300.63.80.01MA	1321.50.1050.01	1561.80.75.07.1
1271.12.20	1319.40.340.01	1300.63.800.01	1321.50.110.01	1561.80.75.25.E
1271.12.20.E	1319.40.35.01	1300.63.800.01A	1321.50.1100.01	1561.80.80.01.1
1271.12.25	1319.40.35.01MA	1300.63.90.01	1321.50.1100.01X	1561.80.80.03.1
1271.12.25.E	1319.40.350.01	1300.63.900.01	1321.50.115.01	1561.80.80.04.1
1271.12.30	1319.40.350.02	1300.63.900.01A	1321.50.1150.01	1561.80.80.05.1
1271.12.40	1319.40.360.01	1300.635.M.TC.01	1321.50.120.01	1561.80.80.06.1
1271.12.50	1319.40.40.01	1300.80.03F	1321.50.1200.01	1561.80.80.07.1
1271.12.60.E	1319.40.40.01MA	1300.80.04F	1321.50.125.01	1561.80.90.02.1
1271.16.10	1319.40.40.01MP	1300.80.05/1F	1321.50.125.50.F	1562.100.10.C
1271.16.15	1319.40.400.01	1300.80.05F	1321.50.130.01	1562.100.100.02.1
1271.16.20	1319.40.400.01B	1300.80.06F	1321.50.1300.01	1562.100.320.02.1
1271.16.25	1319.40.420.01	1300.80.07F	1321.50.135.01	1562.32.10.02.1
1271.16.25.E	1319.40.450.01	1300.80.08F	1321.50.15.01	1562.32.11.16.A
1271.16.25.M	1319.40.475.01	1300.80.09F	1321.50.150.01	1562.32.15.01.1
1271.16.30	1319.40.475.01.B	1300.80.100.01	1321.50.150.01MA	1562.32.15.03.1
1271.16.35.E	1319.40.50.01	1300.80.100.01A	1321.50.150.01X	1562.32.200.07.1
1271.16.40	1319.40.50.01B	1300.80.100.M.01	1321.50.1500.01	1562.32.30.03.1
1271.16.50	1319.40.50.01MA	1300.80.1000.01	1321.50.160.01	1562.40.100.02.1
1271.16.50.E	1319.40.50.02	1300.80.1000.01A	1321.50.170.01	1562.40.200.02.1
1271.16.60	1319.40.50.50.E	1300.80.1000.01AXV	1321.50.175.01	1562.50.25.04.1
1271.16.75	1319.40.500.01	1300.80.1000.01X	1321.50.1750.01	1562.63.25.01.1
1271.16.80.A	1319.40.500.02	1300.80.10F	1321.50.180.01V	1562.63.60.01.1
1271.20.10	1319.40.520.01	1300.80.1100.01	1321.50.20.01	1562.80.375.02.1
1271.20.100	1319.40.55.01	1300.80.11F	1321.50.200.01	1562.80.550.02.1
1271.20.15	1319.40.550.01	1300.80.1200.01	1321.50.200.01X	1571.16.25.01.1
1271.20.16	1319.40.560.01	1300.80.125.01	1321.50.2000.01	1571.32.30.01.1
1271.20.20	1319.40.60.01	1300.80.125.01A	1321.50.210.01	1571.40.20.02.1
1271.20.25	1319.40.600.01	1300.80.125.02	1321.50.215.01	1571.40.25.01.1
1271.20.25.M	1319.40.615.01	1300.80.12F	1321.50.220.01	1571.40.35.02.1
1271.20.30	1319.40.620.01	1300.80.13/1F	1321.50.225.01	1571.40.40.02.1
1271.20.35	1319.40.625.01	1300.80.130.02	1321.50.25.01	1571.50.15.01.1
1271.20.40	1319.40.65.01	1300.80.14F	1321.50.250.01	1571.50.20.01.1
1271.20.40.E	1319.40.650.01	1300.80.150.01	1321.50.280.01	1571.50.25.01.1
1271.20.50	1319.40.70.01	1300.80.150.01A	1321.50.30.01	1571.50.35.01.1
1271.20.50.E	1319.40.700.01	1300.80.150.02	1321.50.300.01	1571.63.50.01.1
1271.20.50.M	1319.40.710.01	1300.80.150.M.01	1321.50.300.01X	1571.63.60.01.1
1271.20.60	1319.40.730.01	1300.80.1500.01	1321.50.320.01	1571.80.60.01.1
1271.20.75	1319.40.75.01	1300.80.155.01A	1321.50.325.01	1580.01F
1271.20.80	1319.40.75.02	1300.80.160.01	1321.50.330.01	1580.100.02F
1271.25.10	1319.40.75.50.E	1300.80.160.01A	1321.50.340.01	1580.100.03/1F
1271.25.100	1319.40.75.75.E	1300.80.175.01	1321.50.35.01	1580.100.03F
1271.25.15	1319.40.750.01	1300.80.180.01	1321.50.350.01	1580.100.05/1F
1271.25.150	1319.40.775.01	1300.80.18F	1321.50.350.01X	1580.100.10F
1271.25.20	1319.40.80.01	1300.80.200.01	1321.50.380.01	1580.100.11F
1271.25.20.X	1319.40.80.01MA	1300.80.200.01.TC	1321.50.40.01	1580.100.12F

1271.25.25	1319.40.800.01	1300.80.200.01A	1321.50.400.01	1580.100.13F
1271.25.30	1319.40.800.01B	1300.80.200.01X	1321.50.400.01XV	1580.12.03/1F
1271.25.40	1319.40.840.01B	1300.80.200.TC.01	1321.50.450.01	1580.12.03F
1271.25.40.E	1319.40.850.01	1300.80.215.01	1321.50.480.01	1580.12.05/1F
1271.25.40.M	1319.40.90.01	1300.80.225.01	1321.50.50.01	1580.12.09/1F
1271.25.50	1319.40.900.01	1300.80.240.01	1321.50.50.01MA	1580.16.03/1F
1271.25.50.A	1319.40.945.01	1300.80.240.01AX	1321.50.500.01	1580.16.03F
1271.25.50.M	1319.40.95.01	1300.80.245.01	1321.50.500.01VX	1580.16.05/1F
1271.25.60	1319.50.10.01	1300.80.25.01	1321.50.500.02	1580.16.09/1F
1271.25.75	1319.50.100.01	1300.80.25.01A	1321.50.500.100.D	1580.20.03/1F
1271.25.80	1319.50.100.01.B	1300.80.250.01	1321.50.520.01	1580.20.03F
1271.25.90	1319.50.100.01MA	1300.80.250.01A	1321.50.550.01	1580.20.05/1F
1271.32.10	1319.50.100.01V	1300.80.250.M.01	1321.50.60.01	1580.20.09/1F
1271.32.100	1319.50.100.100.F	1300.80.250.TC.01	1321.50.60.01MA	1580.20.09/2F
1271.32.100.M	1319.50.100.50.F	1300.80.260.01	1321.50.600.01	1580.25.03/1F
1271.32.15	1319.50.100.G	1300.80.2600.01A	1321.50.650.01	1580.25.03F
1271.32.150	1319.50.1000.01	1300.80.275.01	1321.50.650.01X	1580.25.05/1F
1271.32.25	1319.50.1000.01B	1300.80.280.01	1321.50.70.01	1580.25.09/1F
1271.32.30	1319.50.1010.01	1300.80.300.01	1321.50.700.01	1580.25.09/2F
1271.32.40	1319.50.1015.01	1300.80.300.01A	1321.50.75.01	1580.32.02F
1271.32.40.E	1319.50.105.01	1300.80.320.01	1321.50.75.01MA	1580.32.03/1F
1271.32.50	1319.50.1050.01	1300.80.320.01A	1321.50.75.50.E	1580.32.03F
1271.32.60	1319.50.110.01	1300.80.325.01	1321.50.80.01	1580.32.05/1F
1271.32.70.M	1319.50.1100.01	1300.80.340.01	1321.50.80.02	1580.32.10F
1271.32.75	1319.50.1150.01	1300.80.35.01	1321.50.800.01	1580.32.11F
1271.32.75.E	1319.50.120.01	1300.80.350.01	1321.50.800.01XV	1580.32.12F
1271.32.75.M	1319.50.1200.01	1300.80.350.01A	1321.50.90.01	1580.32.13F
1271.32.80.E	1319.50.125.01	1300.80.350.25.E	1321.50.900.01	1580.40.02F
1271.40.100	1319.50.125.B	1300.80.350.TC.01	1321.50.950.01	1580.40.03/1F
1271.40.20	1319.50.1250.01	1300.80.360.01	1321.50.950.01X	1580.40.03F
1271.40.25	1319.50.130.01	1300.80.375.01	1321.63.100.01	1580.40.05/1F
1271.40.50	1319.50.135.01	1300.80.400.01	1321.63.100.01MA	1580.40.10F
1271.40.80	1319.50.1350.01	1300.80.400.01A	1321.63.100.01X	1580.40.11F
1271.50.150	1319.50.140.01	1300.80.450.01	1321.63.100.100.E	1580.40.12F
1271.50.30	1319.50.1450.01	1300.80.450.01A	1321.63.1000.01	1580.40.13F
1271.50.50	1319.50.15.01	1300.80.450.M.01	1321.63.1000.01X	1580.50.02F
1271.50.70	1319.50.150.01	1300.80.50.01	1321.63.110.01	1580.50.03/1F
1272.08.30	1319.50.150.01B	1300.80.50.01A	1321.63.1100.01	1580.50.03F
1272.10.10.T	1319.50.150.02	1300.80.500.01	1321.63.115.01	1580.50.05/1F
1272.10.25	1319.50.150.G	1300.80.500.01A	1321.63.120.01	1580.50.10F
1272.12.10	1319.50.1500.01	1300.80.500.M.01	1321.63.1200.01	1580.50.11F
1272.12.15	1319.50.160.01	1300.80.520.01X	1321.63.1200.01X	1580.50.12F
1272.12.25	1319.50.165.01	1300.80.525.01	1321.63.125.01	1580.50.13F
1272.12.50	1319.50.170.01	1300.80.550.01	1321.63.125.02.X	1580.63.02F
1272.16.10	1319.50.1700.01	1300.80.60.01.MA	1321.63.125.125.E	1580.63.03/1F
1272.16.15	1319.50.175.01	1300.80.600.01	1321.63.1250.01	1580.63.03F
1272.16.20	1319.50.180.01	1300.80.600.01A	1321.63.1300.01	1580.63.05/1F
1272.16.25	1319.50.180.02	1300.80.650.01	1321.63.150.01	1580.63.10F
1272.16.40	1319.50.185.01	1300.80.70.01	1321.63.1500.01	1580.63.11F
1272.16.40.A	1319.50.1850.01	1300.80.700.01	1321.63.160.01	1580.63.12F
1272.16.50	1319.50.190.01	1300.80.700.01A	1321.63.165.01	1580.63.13F
1272.16.75	1319.50.20.01	1300.80.75.01	1321.63.1700.01	1580.80.02F
1272.20.10.M	1319.50.200.01	1300.80.75.01A	1321.63.175.01	1580.80.03/1F



1272.20.100	1319.50.200.02	1300.80.775.01	1321.63.180.01	1580.80.03F
1272.20.20	1319.50.200.50.E	1300.80.780.01	1321.63.200.01	1580.80.05/1F
1272.20.25	1319.50.2000.01	1300.80.80.01	1321.63.200.01B	1580.80.10F
1272.20.25.A	1319.50.2100.01	1300.80.80.01A	1321.63.200.01X	1580.80.11F
1272.20.25.M	1319.50.220.01	1300.80.800.01	1321.63.200.G	1580.80.12F
1272.20.40	1319.50.225.01	1300.80.800.01A	1321.63.2000.01	1580.80.13F
1272.20.50	1319.50.25.01	1300.80.90.01	1321.63.25.01	1580.HAP
1272.20.50.M	1319.50.25.01.V	1300.80.900.01	1321.63.25.01X	1580.U
1272.20.60	1319.50.25.02	1300.80.900.01A	1321.63.250.01	1580.UAP
1272.20.65	1319.50.250.01	1300.80.950.01	1321.63.255.01	1581.100.10.01.1
1272.25.10	1319.50.257.01	1301.100.03F	1321.63.275.01	1581.100.10.01.2
1272.25.100	1319.50.260.01	1301.100.04F	1321.63.30.01	1581.100.10.01.3
1272.25.15	1319.50.270.01	1301.100.05F	1321.63.300.01	1581.100.10.02.1
1272.25.25	1319.50.280.01	1301.100.08F	1321.63.300.01X	1581.100.10.03.1
1272.25.25.M	1319.50.290.01	1301.100.09/1F	1321.63.300.02	1581.100.10.04.1
1272.25.25.MX	1319.50.30.01	1301.100.09F	1321.63.300.300.E	1581.100.10.05.1
1272.25.25.X	1319.50.300.01	1301.100.100.01	1321.63.320.01	1581.100.10.06.1
1272.25.35	1319.50.300.01V	1301.100.100.01A	1321.63.325.01	1581.100.10.07.1
1272.25.40	1319.50.3000.01	1301.100.1000.01	1321.63.330.01	1581.100.10.08.1
1272.25.50	1319.50.310.01	1301.100.1000.01A	1321.63.35.01	1581.100.100.01.1
1272.25.75.M	1319.50.320.01	1301.100.125.01	1321.63.350.01	1581.100.100.02.1
1272.25.80	1319.50.330.01	1301.100.125.01A	1321.63.40.01	1581.100.100.03.1
1272.32.10	1319.50.340.01	1301.100.13/1F	1321.63.400.01	1581.100.100.04.1
1272.32.15	1319.50.35.02	1301.100.13F	1321.63.400.01X	1581.100.125.01.1
1272.32.25	1319.50.350.01	1301.100.150.01	1321.63.450.01	1581.100.125.02.1
1272.32.30	1319.50.370.01	1301.100.150.01A	1321.63.450.01X	1581.100.125.03.1
1272.32.50	1319.50.375.01	1301.100.160.01	1321.63.460.01	1581.100.125.04.1
1272.32.50.M	1319.50.385.01	1301.100.160.01A	1321.63.470.01	1581.100.15.01.1
1272.32.60	1319.50.40.01	1301.100.18F	1321.63.50.01	1581.100.15.01.2
1272.40.100	1319.50.400.01	1301.100.200.01	1321.63.50.01MA	1581.100.15.01.3
1272.40.25	1319.50.400.01B	1301.100.200.01A	1321.63.50.01MP	1581.100.15.02.1
1272.40.80	1319.50.420.01	1301.100.25.01	1321.63.50.01X	1581.100.15.03.1
1272.50.30	1319.50.425.01	1301.100.25.01A	1321.63.50.02	1581.100.15.04.1
1272.50.50	1319.50.450.01	1301.100.250.01	1321.63.500.01	1581.100.15.05.1
1272.50.55	1319.50.50.01	1301.100.250.01A	1321.63.55.01	1581.100.15.06.1
1272.50.70	1319.50.50.01.MA	1301.100.300.01	1321.63.550.01	1581.100.15.07.1
1273.08.15	1319.50.50.02	1301.100.300.01A	1321.63.550.01XV	1581.100.15.08.1
1273.10.10	1319.50.50.G	1301.100.320.01	1321.63.600.01	1581.100.150.01.1
1273.10.15	1319.50.500.01	1301.100.320.01A	1321.63.650.01	1581.100.150.02.1
1273.10.40	1319.50.540.01	1301.100.350.01	1321.63.650.01X	1581.100.150.03.1
1273.12.20	1319.50.550.01	1301.100.350.01A	1321.63.700.01	1581.100.150.04.1
1273.12.25	1319.50.580.01	1301.100.36.02	1321.63.75.01	1581.100.160.01.1
1273.16.10	1319.50.590.01	1301.100.400.01	1321.63.75.01MA	1581.100.20.01.1
1273.16.20	1319.50.60.01	1301.100.400.01A	1321.63.75.02	1581.100.20.01.2
1273.16.25	1319.50.60.01MA	1301.100.45.01	1321.63.75.20.D	1581.100.20.01.3
1273.20.10	1319.50.600.01	1301.100.450.01	1321.63.750.01	1581.100.20.02.1
1273.20.25	1319.50.630.01	1301.100.450.01A	1321.63.750.01X	1581.100.20.03.1
1273.20.30	1319.50.650.01	1301.100.50.01	1321.63.780.01	1581.100.20.04.1
1273.20.50	1319.50.660.01	1301.100.50.01A	1321.63.80.01	1581.100.20.05.1
1273.20.80	1319.50.70.01	1301.100.500.01	1321.63.80.01MA	1581.100.20.06.1
1273.25.20	1319.50.700.01	1301.100.500.01A	1321.63.800.01	1581.100.20.07.1
1273.25.25	1319.50.700.01B	1301.100.600.01	1321.63.850.01	1581.100.20.08.1
1273.25.30	1319.50.730.01	1301.100.600.01A	1321.63.900.01	1581.100.200.01.1

1273.25.30.ME	1319.50.75.01	1301.100.700.01	1321.63.900.01X	1581.100.200.02.1
1273.25.40	1319.50.75.02	1301.100.700.01A	1321.63.95.01	1581.100.200.03.1
1273.25.50.E	1319.50.75.50.E	1301.100.75.01	1321.80.100.01	1581.100.200.04.1
1273.32.120	1319.50.750.01	1301.100.75.01A	1321.80.100.100.E	1581.100.25.01.1
1273.32.25	1319.50.780.01	1301.100.80.01	1321.80.1000.01	1581.100.25.01.2
1273.32.25.E	1319.50.80.01	1301.100.80.01A	1321.80.1050.01	1581.100.25.01.3
1273.32.50	1319.50.800.01	1301.100.800.01	1321.80.110.01	1581.100.25.02.1
1273.32.70.E	1319.50.82.01	1301.100.800.01A	1321.80.115.01	1581.100.25.03.1
1273.32.75	1319.50.850.01	1301.100.900.01	1321.80.1200.01	1581.100.25.04.1
1273.32.75.E	1319.50.90.01	1301.100.900.01A	1321.80.125.01	1581.100.25.05.1
1273.32.80	1319.50.900.01	1301.125.05F	1321.80.130.01	1581.100.25.06.1
1273.32.85.E	1319.50.950.01	1301.125.09/1F	1321.80.1300.01	1581.100.25.07.1
1273.4.10	1319.63.10.01	1301.125.09F	1321.80.135.01	1581.100.25.08.1
1273.40.100	1319.63.100.01	1301.125.100.01	1321.80.140.01	1581.100.250.01.1
1273.40.15	1319.63.100.01MA	1301.125.1000.01	1321.80.1400.01	1581.100.250.02.1
1273.40.50	1319.63.100.01V	1301.125.125.01	1321.80.150.01	1581.100.250.03.1
1273.40.60	1319.63.100.02	1301.125.13F	1321.80.150.01V	1581.100.250.04.1
1273.50.25	1319.63.100.25.D	1301.125.150.01	1321.80.150.G	1581.100.30.01.1
1273.50.50	1319.63.100.G	1301.125.160.01	1321.80.1500.01	1581.100.30.02.1
1274.10.10	1319.63.1000.01	1301.125.18F	1321.80.160.01	1581.100.30.03.1
1274.12.25	1319.63.110.01	1301.125.200.01	1321.80.160.01V	1581.100.30.04.1
1274.12.50.M	1319.63.1100.01	1301.125.25.01	1321.80.1600.01	1581.100.30.05.1
1274.16.40.M	1319.63.115.01	1301.125.250.01	1321.80.1700.01	1581.100.30.06.1
1274.16.50.M	1319.63.120.01	1301.125.300.01	1321.80.175.01	1581.100.30.07.1
1274.20.25	1319.63.1200.01	1301.125.320.01	1321.80.1750.01	1581.100.30.08.1
1274.20.25.X	1319.63.1200.01X	1301.125.330.01	1321.80.180.01	1581.100.300.01.1
1274.20.40	1319.63.125.01	1301.125.350.01	1321.80.20.01	1581.100.300.02.1
1274.25.25	1319.63.1250.01	1301.125.400.01	1321.80.20.G	1581.100.300.03.1
1274.25.25.X	1319.63.1255.01	1301.125.450.01	1321.80.200.01	1581.100.300.04.1
1274.25.30	1319.63.1260.01	1301.125.50.01	1321.80.200.01B	1581.100.320.01.1
1274.25.40	1319.63.130.01	1301.125.500.01	1321.80.200.01V	1581.100.320.02.1
1274.25.75	1319.63.1300.01	1301.125.600.01	1321.80.200.01X	1581.100.320.03.1
1274.32.25	1319.63.135.40.E	1301.125.650.01	1321.80.200.02	1581.100.320.04.1
1274.32.50	1319.63.1350.01	1301.125.700.01	1321.80.200.200.E	1581.100.35.01.1
1274.32.70	1319.63.140.01	1301.125.700.TC.01	1321.80.2000.01	1581.100.35.02.1
1280.08.100.M	1319.63.143.01	1301.125.75.01	1321.80.230.01	1581.100.35.03.1
1280.08.15.M	1319.63.15.01	1301.125.80.01	1321.80.25.01	1581.100.35.04.1
1280.08.25.M	1319.63.150.01	1301.125.800.01	1321.80.250.01	1581.100.35.05.1
1280.08.50.M	1319.63.150.01V	1301.125.900.01	1321.80.250.01X	1581.100.35.06.1
1280.08.75.M	1319.63.150.150.1EV	1301.160.03F	1321.80.300.01	1581.100.35.07.1
1280.08.80.M	1319.63.160.01	1301.160.05F	1321.80.320.01	1581.100.35.08.1
1280.08.FS	1319.63.160.02	1301.160.08F	1321.80.320.01V	1581.100.350.01.1
1280.10.10.M	1319.63.1600.01	1301.160.09/1F	1321.80.350.01	1581.100.350.02.1
1280.10.100.M	1319.63.170.01	1301.160.09F	1321.80.360.01	1581.100.40.01.1
1280.10.15.M	1319.63.175.01	1301.160.100.01	1321.80.370.01	1581.100.40.02.1
1280.10.25.M	1319.63.180.01	1301.160.1000.01	1321.80.40.01	1581.100.40.06.1
1280.10.30.M	1319.63.1800.01	1301.160.125.01	1321.80.40.01MA	1581.100.40.07.1
1280.10.5.M	1319.63.190.01	1301.160.13F	1321.80.400.01	1581.100.40.08.1
1280.10.50.M	1319.63.1900.01	1301.160.150.01	1321.80.400.02	1581.100.400.01.1
1280.10.75.M	1319.63.20.01	1301.160.160.01	1321.80.420.01	1581.100.400.02.1
1280.10.80.M	1319.63.20.02	1301.160.18F	1321.80.450.01	1581.100.45.01.1
1280.10.FS	1319.63.200.01	1301.160.200.01	1321.80.50.01	1581.100.45.02.1
1280.12.10.M	1319.63.200.200.D	1301.160.25.01	1321.80.50.01MP	1581.100.45.06.1

1280.12.100.M	1319.63.200.25.E	1301.160.250.01	1321.80.50.02	1581.100.45.07.1
1280.12.15.M	1319.63.200.G	1301.160.300.01	1321.80.500.01	1581.100.45.08.1
1280.12.150.M	1319.63.225.01	1301.160.320.01	1321.80.500.01VX	1581.100.450.01.1
1280.12.160.M	1319.63.25.01	1301.160.350.01	1321.80.572.01X	1581.100.450.02.1
1280.12.200.M	1319.63.25.01.MP	1301.160.380.01V	1321.80.60.01MA	1581.100.5.01.1
1280.12.25.M	1319.63.25.01MA	1301.160.400.01	1321.80.600.01	1581.100.5.01.2
1280.12.250.M	1319.63.25.02	1301.160.450.01	1321.80.650.01	1581.100.5.02.1
1280.12.300.M	1319.63.250.01	1301.160.50.01	1321.80.660.01	1581.100.5.07.1
1280.12.40.M	1319.63.250.02	1301.160.500.01	1321.80.70.01	1581.100.5.08.1
1280.12.50.M	1319.63.2500.01	1301.160.600.01	1321.80.700.01	1581.100.50.01.1
1280.12.75.M	1319.63.2525.01	1301.160.700.01	1321.80.75.01	1581.100.50.02.1
1280.12.80.M	1319.63.275.01	1301.160.75.01	1321.80.750.01	1581.100.50.06.1
1280.12.FS	1319.63.280.01	1301.160.80.01	1321.80.80.01	1581.100.50.07.1
1280.16.10.M	1319.63.30.01	1301.160.800.01	1321.80.80.01MA	1581.100.50.08.1
1280.16.10.MX	1319.63.300.01	1301.160.900.01	1321.80.80.01MP	1581.100.500.01.1
1280.16.100.M	1319.63.310.01	1301.200.03F	1321.80.80.02	1581.100.55.01.1
1280.16.100.MX	1319.63.320.01	1301.200.05F	1321.80.800.01	1581.100.55.06.1
1280.16.110.AM	1319.63.325.01	1301.200.09F	1321.80.85.01	1581.100.55.07.1
1280.16.125.M	1319.63.330.01	1301.200.100.01	1321.80.900.01	1581.100.55.08.1
1280.16.15.M	1319.63.335.01	1301.200.1000.01	1321.80.950.01X	1581.100.60.01.1
1280.16.15.MX	1319.63.35.01	1301.200.125.01	1325.100.03F	1581.100.60.06.1
1280.16.150.M	1319.63.350.01	1301.200.13F	1325.100.05/1F	1581.100.60.07.1
1280.16.150.MX	1319.63.350.01B	1301.200.150.01	1325.100.17F	1581.100.60.08.1
1280.16.160.M	1319.63.370.01	1301.200.160.01	1325.100.500.01	1581.100.65.01.1
1280.16.160.MX	1319.63.40.01	1301.200.18F	1325.100.75.01	1581.100.65.06.1
1280.16.180.AMX	1319.63.400.01	1301.200.200.01	1325.32.03F	1581.100.65.07.1
1280.16.200.A.M	1319.63.400.01B	1301.200.25.01	1325.32.05/1F	1581.100.65.08.1
1280.16.200.M	1319.63.400.02	1301.200.250.01	1325.32.125.01	1581.100.70.01.1
1280.16.200.MX	1319.63.441.01	1301.200.300.01	1325.32.17F	1581.100.70.06.1
1280.16.25.M	1319.63.45.01	1301.200.320.01	1325.32.200.01	1581.100.70.07.1
1280.16.25.MX	1319.63.450.01	1301.200.350.01	1325.32.220.01	1581.100.70.08.1
1280.16.250.M	1319.63.460.01	1301.200.400.01	1325.32.250.01	1581.100.75.01.1
1280.16.250.MX	1319.63.470.01	1301.200.450.01	1325.32.270.01	1581.100.75.06.1
1280.16.30.M	1319.63.50.01	1301.200.50.01	1325.32.300.01	1581.100.75.07.1
1280.16.300.M	1319.63.50.02	1301.200.500.01	1325.32.40.01	1581.100.75.08.1
1280.16.300.MX	1319.63.50.50.E	1301.200.600.01	1325.32.400.01	1581.100.80.01.1
1280.16.40.M	1319.63.500.01	1301.200.700.01	1325.32.60.01	1581.100.80.06.1
1280.16.5.M	1319.63.518.01	1301.200.700.01V	1325.32.70.01	1581.100.80.07.1
1280.16.50.AMX	1319.63.525.01	1301.200.75.01	1325.40.03F	1581.100.80.08.1
1280.16.50.M	1319.63.55.01	1301.200.80.01	1325.40.05/1F	1581.12.10.01.1
1280.16.50.MX	1319.63.550.01	1301.200.800.01	1325.40.100.01	1581.12.10.01.2
1280.16.60.M	1319.63.60.01	1301.200.900.01	1325.40.150.01	1581.12.10.02.1
1280.16.75.M	1319.63.600.01	1301.32.03F	1325.40.17F	1581.12.10.06.1
1280.16.75.MX	1319.63.600.01B	1301.32.04F	1325.40.200.01	1581.12.10.07.1
1280.16.80.M	1319.63.610.01	1301.32.05F	1325.40.210.01	1581.12.10.08.1
1280.16.80.MX	1319.63.630.01	1301.32.08F	1325.40.215.01	1581.12.100.01.1
1280.16.90.M	1319.63.65.01	1301.32.09/1F	1325.40.220.01	1581.12.15.01.1
1280.16.F	1319.63.650.01	1301.32.09F	1325.40.225.01	1581.12.15.02.1
1280.16.FS	1319.63.650.01X	1301.32.100.01	1325.40.25.01	1581.12.15.06.1
1280.16.FSX	1319.63.66.01	1301.32.100.01A	1325.40.250.01	1581.12.15.07.1
1280.16.FX	1319.63.670.01	1301.32.1000.01	1325.40.330.01	1581.12.15.08.1
1280.20.10.M	1319.63.700.01	1301.32.1000.01A	1325.40.350.01	1581.12.20.01.1
1280.20.100.M	1319.63.700.01B	1301.32.125.01	1325.40.400.01	1581.12.20.02.1

1280.20.100.MX	1319.63.720.01	1301.32.125.01A	1325.40.50.01	1581.12.20.06.1
1280.20.125.M	1319.63.730.01	1301.32.13/1F	1325.40.600.01	1581.12.20.07.1
1280.20.15.M	1319.63.75.01	1301.32.13F	1325.40.75.01	1581.12.20.08.1
1280.20.15.MX	1319.63.75.02	1301.32.150.01	1325.50.03F	1581.12.200.01.1
1280.20.150.M	1319.63.750.01	1301.32.150.01A	1325.50.05/1F	1581.12.25.01.1
1280.20.150.MX	1319.63.80.01	1301.32.160.01	1325.50.100.01	1581.12.25.02.1
1280.20.160.M	1319.63.800.01	1301.32.160.01A	1325.50.150.01	1581.12.25.07.1
1280.20.160.MX	1319.63.85.01	1301.32.18F	1325.50.150.02	1581.12.25.08.1
1280.20.20.AM	1319.63.850.01	1301.32.200.01	1325.50.17F	1581.12.30.01.1
1280.20.200.M	1319.63.875.01	1301.32.200.01A	1325.50.200.01	1581.12.30.02.1
1280.20.200.MX	1319.63.879.01	1301.32.25.01	1325.50.25.01	1581.12.30.07.1
1280.20.25.M	1319.63.90.01	1301.32.25.01A	1325.50.250.01	1581.12.30.08.1
1280.20.25.MX	1319.63.900.01	1301.32.250.01	1325.50.300.01	1581.12.35.01.1
1280.20.250.M	1319.63.900.01X	1301.32.250.01A	1325.50.350.01	1581.12.35.07.1
1280.20.250.MX	1319.63.950.01	1301.32.300.01	1325.50.40.01	1581.12.35.08.1
1280.20.300.M	1319.80.100.01	1301.32.300.01A	1325.50.400.01	1581.12.40.01.1
1280.20.300.MX	1319.80.100.02	1301.32.320.01	1325.50.50.01	1581.12.40.07.1
1280.20.320.M	1319.80.100.G	1301.32.320.01A	1325.50.500.01	1581.12.40.08.1
1280.20.320.MX	1319.80.1000.01	1301.32.350.01	1325.50.75.01	1581.12.45.01.1
1280.20.350.M	1319.80.1050.01	1301.32.350.01A	1325.50.80.01	1581.12.5.01.1
1280.20.350.MX	1319.80.1100.01	1301.32.400.01	1325.63.03F	1581.12.5.01.2
1280.20.40.M	1319.80.115.01	1301.32.400.01A	1325.63.05/1F	1581.12.5.06.1
1280.20.400.M	1319.80.1200.01	1301.32.450.01	1325.63.100.01	1581.12.5.07.1
1280.20.400.MX	1319.80.125.01	1301.32.450.01A	1325.63.150.01	1581.12.5.08.1
1280.20.45.M	1319.80.130.01	1301.32.50.01	1325.63.17F	1581.12.50.01.1
1280.20.50.M	1319.80.130.02	1301.32.50.01A	1325.63.200.01	1581.12.50.02.1
1280.20.50.MX	1319.80.1300.01	1301.32.500.01	1325.63.25.01	1581.12.55.01.1
1280.20.60.M	1319.80.135.01	1301.32.500.01A	1325.63.250.01	1581.12.60.01.1
1280.20.75.M	1319.80.140.01	1301.32.600.01	1325.63.300.01	1581.12.65.01.1
1280.20.75.MX	1319.80.1400.01	1301.32.600.01A	1325.63.350.01	1581.12.70.01.1
1280.20.80.M	1319.80.1450.01	1301.32.700.01	1325.63.400.01	1581.12.75.01.1
1280.20.80.MX	1319.80.150.01	1301.32.700.01A	1325.63.50.01	1581.12.80.01.1
1280.20.F	1319.80.150.02	1301.32.75.01	1325.63.75.01	1581.16.05.01.2
1280.20.FS	1319.80.1500.01	1301.32.75.01A	1325.80.03F	1581.16.10.01.1
1280.20.FSX	1319.80.1500.01X	1301.32.80.01	1325.80.05/1F	1581.16.10.01.2
1280.20.FX	1319.80.160.01	1301.32.80.01A	1325.80.100.01	1581.16.10.02.1
1280.25.10.M	1319.80.160.02	1301.32.800.01	1325.80.118.01	1581.16.10.06.1
1280.25.100.M	1319.80.170.01	1301.32.800.01A	1325.80.150.01	1581.16.10.07.1
1280.25.100.MV	1319.80.1700.01	1301.32.900.01	1325.80.150.02	1581.16.10.08.1
1280.25.100.MX	1319.80.175.01	1301.32.900.01A	1325.80.17F	1581.16.100.01.1
1280.25.125.M	1319.80.180.01	1301.40.03F	1325.80.180.01	1581.16.15.01.1
1280.25.15.M	1319.80.1900.01	1301.40.04F	1325.80.200.01	1581.16.15.01.2
1280.25.15.MX	1319.80.200.01	1301.40.05F	1325.80.25.01	1581.16.15.06.1
1280.25.150.M	1319.80.200.01B	1301.40.08F	1325.80.250.01	1581.16.15.07.1
1280.25.150.MX	1319.80.200.01V	1301.40.09/1F	1325.80.300.01	1581.16.15.08.1
1280.25.160.M	1319.80.200.02	1301.40.09F	1325.80.325.01	1581.16.20.01.1
1280.25.160.MX	1319.80.2000.01	1301.40.100.01	1325.80.350.01	1581.16.20.01.2
1280.25.180.M	1319.80.2200.01	1301.40.100.01A	1325.80.400.01	1581.16.20.02.1
1280.25.200.A.M.	1319.80.225.01	1301.40.1000.01	1325.80.50.01	1581.16.20.06.1
1280.25.200.M	1319.80.240.01	1301.40.1000.01A	1325.80.500.01	1581.16.20.07.1
1280.25.200.MX	1319.80.25.01	1301.40.125.01	1325.80.75.01	1581.16.20.08.1
1280.25.25.AMX	1319.80.250.01	1301.40.125.01A	1325/0011	1581.16.25.01.1
1280.25.25.M	1319.80.250.01B	1301.40.125.TC.01	1326.100.100.01	1581.16.25.01.2

1280.25.25.MX	1319.80.264.01	1301.40.13/1F	1326.100.150.01	1581.16.25.06.1
1280.25.250.M	1319.80.275.01	1301.40.13F	1326.100.200.01	1581.16.25.07.1
1280.25.250.MX	1319.80.30.01	1301.40.140.01	1326.100.25.01	1581.16.25.08.1
1280.25.30.M	1319.80.30.02	1301.40.150.01	1326.100.250.01	1581.16.25.8.1
1280.25.300.M	1319.80.300.01	1301.40.150.01A	1326.100.300.01	1581.16.30.01.1
1280.25.300.MX	1319.80.300.B	1301.40.160.01	1326.100.350.01	1581.16.30.02.1
1280.25.320.M	1319.80.310.01	1301.40.160.01.TC	1326.100.400.01	1581.16.30.07.1
1280.25.320.MX	1319.80.320.01	1301.40.160.01A	1326.100.50.01	1581.16.30.08.1
1280.25.350.M	1319.80.325.01	1301.40.160.TC.01	1326.100.500.01	1581.16.30.30.1A
1280.25.350.MX	1319.80.350.01	1301.40.18F	1326.100.75.01	1581.16.35.01.1
1280.25.40.M	1319.80.370.01	1301.40.20.01	1326.32.100.01	1581.16.35.07.1
1280.25.400.M	1319.80.40.01	1301.40.200.01	1326.32.150.01	1581.16.35.08.1
1280.25.400.MX	1319.80.400.01	1301.40.200.01A	1326.32.20.02	1581.16.40.01.1
1280.25.50.AM	1319.80.420.01	1301.40.220.01	1326.32.20.02X	1581.16.40.07.1
1280.25.50.AMX	1319.80.425.01	1301.40.25.01	1326.32.200.01	1581.16.40.08.1
1280.25.50.M	1319.80.450.01	1301.40.25.01A	1326.32.25.01	1581.16.45.01.1
1280.25.50.MX	1319.80.50.01	1301.40.250.01	1326.32.50.01	1581.16.5.01.1
1280.25.60.A.M	1319.80.50.01MA	1301.40.250.01A	1326.32.70.01	1581.16.5.01.2
1280.25.60.AMXV	1319.80.50.01V	1301.40.285.02	1326.32.75.01	1581.16.5.06.1
1280.25.60.M	1319.80.50.02	1301.40.300.01	1326.40.100.01	1581.16.5.07.1
1280.25.75.AM	1319.80.500.01	1301.40.300.01A	1326.40.150.01	1581.16.5.08.1
1280.25.75.M	1319.80.550.01	1301.40.320.01	1326.40.200.01	1581.16.50.01.1
1280.25.75.MX	1319.80.60.01	1301.40.320.01A	1326.40.25.01	1581.16.50.07.1
1280.25.80.M	1319.80.600.01	1301.40.35.01	1326.40.250.01	1581.16.55.01.1
1280.25.80.MX	1319.80.650.01	1301.40.350.01	1326.40.50.01	1581.16.60.01.1
1280.25.F	1319.80.700.01	1301.40.350.01A	1326.40.75.01	1581.16.60.02.1
1280.25.FS	1319.80.75.01	1301.40.400.01	1326.50.100.01	1581.16.65.01.1
1280.25.FSX	1319.80.75.01V	1301.40.400.01A	1326.50.150.01	1581.16.65.02.1
1280.25.FX	1319.80.75.02	1301.40.450.01	1326.50.200.01	1581.16.70.01.1
1280.32.100.M	1319.80.75.30.F	1301.40.450.01A	1326.50.25.01	1581.16.75.01.1
1280.32.100.MX	1319.80.750.01	1301.40.50.01	1326.50.250.01	1581.16.80.01.1
1280.32.100.MXV	1319.80.780.01	1301.40.50.01A	1326.50.300.01	1581.16.80.02.1
1280.32.120.MX	1319.80.80.01	1301.40.50.01MA	1326.50.350.01	1581.20.10.01.1
1280.32.125.AMX	1319.80.80.02	1301.40.500.01	1326.50.400.01	1581.20.10.01.2
1280.32.15.M	1319.80.80.G	1301.40.500.01A	1326.50.50.01	1581.20.10.02.1
1280.32.15.MX	1319.80.800.01	1301.40.600.01	1326.50.75.01	1581.20.10.06.1
1280.32.150.M	1319.80.90.01	1301.40.600.01A	1326.63.100.01	1581.20.10.07.1
1280.32.150.MX	1319.80.900.01	1301.40.700.01	1326.63.120.01	1581.20.10.08.1
1280.32.160.AM	1320.100.05/1F	1301.40.700.01A	1326.63.150.01	1581.20.10.15.B
1280.32.160.M	1320.100.05F	1301.40.75.01	1326.63.200.01	1581.20.100.01.1
1280.32.160.MX	1320.100.100.01	1301.40.75.01A	1326.63.25.01	1581.20.100.02.1
1280.32.175.M	1320.100.1000.01	1301.40.80.01	1329.40.25.01V	1581.20.100.07.1
1280.32.180.AM	1320.100.12/1F	1301.40.80.01A	1329.40.300.01	1581.20.125.01.1
1280.32.200.M	1320.100.125.01	1301.40.800.01	1330.100.180.01	1581.20.125.07.1
1280.32.200.MX	1320.100.12F	1301.40.800.01A	1330.100.180.01R	1581.20.15.01.1
1280.32.25.AMX	1320.100.13/1F	1301.40.900.01	1330.100.270.01	1581.20.15.01.2
1280.32.25.M	1320.100.13F	1301.40.900.01A	1330.100.270.01R	1581.20.15.06.1
1280.32.25.MX	1320.100.150.01	1301.50.03F	1330.100.360.01	1581.20.15.07.1
1280.32.250.M	1320.100.160.01	1301.50.04F	1330.100.90.01	1581.20.15.08.1
1280.32.250.MX	1320.100.1600.01	1301.50.05F	1330.32.180.01	1581.20.15.09.1
1280.32.280.M	1320.100.17F	1301.50.08F	1330.32.180.01R	1581.20.150.01.1
1280.32.300.M	1320.100.18F	1301.50.09/1F	1330.32.270.01	1581.20.150.02.1
1280.32.300.MX	1320.100.19F	1301.50.09F	1330.32.360.01	1581.20.160.01.1

1280.32.320.M	1320.100.200.01	1301.50.100.01	1330.32.360.01R	1581.20.20.01.1
1280.32.320.MX	1320.100.20F	1301.50.100.01A	1330.32.90.01	1581.20.20.01.2
1280.32.35.M	1320.100.21F	1301.50.1000.01	1330.32.90.01R	1581.20.20.06.1
1280.32.350.M	1320.100.22F	1301.50.1000.01A	1330.40.180.01	1581.20.20.07.01
1280.32.350.MX	1320.100.23F	1301.50.125.01	1330.40.180.01R	1581.20.20.07.1
1280.32.400.M	1320.100.25.01	1301.50.125.01A	1330.40.270.01	1581.20.20.08.1
1280.32.400.MX	1320.100.250.01	1301.50.13/1F	1330.40.270.01R	1581.20.200.01.1
1280.32.420.M	1320.100.25F	1301.50.13F	1330.40.360.01	1581.20.200.02.1
1280.32.450.M	1320.100.26F	1301.50.150.01	1330.40.90.01	1581.20.23,5.03.1
1280.32.450.MX	1320.100.27F	1301.50.150.01A	1330.40.90.01R	1581.20.25.01.1
1280.32.50.AM	1320.100.29F	1301.50.160.01	1330.50.180.01	1581.20.25.01.2
1280.32.50.M	1320.100.300.01	1301.50.160.01A	1330.50.180.01R	1581.20.25.02.1
1280.32.50.MX	1320.100.320.01	1301.50.18F	1330.50.270.01	1581.20.25.06.1
1280.32.500.M	1320.100.350.01	1301.50.200.01	1330.50.30.01R	1581.20.25.07.1
1280.32.500.MX	1320.100.400.01	1301.50.200.01A	1330.50.360.01	1581.20.25.08.1
1280.32.60.MT	1320.100.450.01	1301.50.25.01	1330.50.360.01R	1581.20.25.25.L
1280.32.600.MX	1320.100.50.01	1301.50.25.01A	1330.50.90.01	1581.20.250.01.1
1280.32.75.M	1320.100.50.02	1301.50.250.01	1330.50.90.01R	1581.20.250.02.1
1280.32.75.MA	1320.100.500.01	1301.50.250.01A	1330.63.180.01	1581.20.30.01.1
1280.32.75.MX	1320.100.51BS	1301.50.300.01	1330.63.180.01R	1581.20.30.06.1
1280.32.80.M	1320.100.51S	1301.50.300.01A	1330.63.270.01	1581.20.30.07.1
1280.32.F	1320.100.52.01	1301.50.320.01	1330.63.330.01	1581.20.30.08.1
1280.32.FS	1320.100.570.01	1301.50.320.01A	1330.63.360.01	1581.20.300.01.1
1280.32.FSX	1320.100.600.01	1301.50.350.01	1330.63.360.01R	1581.20.35.01.1
1280.32.FX	1320.100.700.01	1301.50.350.01A	1330.63.90.01	1581.20.35.06.1
1281.08.25.M	1320.100.75.01	1301.50.400.01	1330.63.90.01R	1581.20.35.07.1
1281.12.20.M	1320.100.750.01	1301.50.400.01A	1330.80.180.01	1581.20.35.08.1
1281.12.200.01.1	1320.100.80.01	1301.50.450.01	1330.80.180.01R	1581.20.40.01.1
1281.12.25.M	1320.100.800.01	1301.50.450.01A	1330.80.270.01	1581.20.40.02.1
1281.16.80.M	1320.100.85.01	1301.50.50.01	1330.80.360.01	1581.20.40.06.1
1281.20.100.M	1320.100.900.01	1301.50.50.01A	1330.80.360.01R	1581.20.40.07.1
1281.20.25.M	1320.125.05/1F	1301.50.500.01	1330.80.90.01	1581.20.40.07.2
1281.20.30.M	1320.125.05F	1301.50.500.01A	1330.80.90.01R	1581.20.40.08.1
1281.20.50.M	1320.125.100.01	1301.50.600.01	1331.100.180.01	1581.20.45.01.1
1281.20.80.M	1320.125.1000.01	1301.50.600.01A	1331.100.270.01	1581.20.45.06.1
1281.25.100.M	1320.125.12/1F	1301.50.700.01	1331.100.360.01	1581.20.5.01.1
1281.25.150.M	1320.125.125.01	1301.50.700.01A	1331.100.90.01	1581.20.5.01.2
1281.25.30.M	1320.125.12F	1301.50.800.01	1331.32.180.01	1581.20.5.06.1
1281.25.50.M	1320.125.13F	1301.50.800.01A	1331.32.270.01	1581.20.5.07.1
1281.25.80.M	1320.125.1400.01	1301.50.900.01	1331.32.360.01	1581.20.5.08.1
1281.32.100.M	1320.125.150.01	1301.50.900.01A	1331.32.90.01	1581.20.50.01.1
1281.32.20.M	1320.125.1500.01	1301.63.03F	1331.32.90.01R	1581.20.50.02.1
1281.32.25.M	1320.125.160.01	1301.63.04F	1331.40.180.01	1581.20.50.06.1
1281.32.250.M	1320.125.1600.01	1301.63.05F	1331.40.270.01	1581.20.50.07.1
1281.32.750.AM	1320.125.18F	1301.63.08F	1331.40.360.01	1581.20.55.01.1
1282.25.50.M	1320.125.18FX	1301.63.09/1F	1331.40.360.01R	1581.20.60.01.1
1282.25.50.MA	1320.125.19F	1301.63.09F	1331.40.90.01	1581.20.60.07.1
1291.12.25.M	1320.125.200.01	1301.63.100.01	1331.50.180.01	1581.20.65.01.1
1291.16.10.M	1320.125.20F	1301.63.100.01A	1331.50.270.01	1581.20.70.01.1
1291.25.50.M	1320.125.210.01	1301.63.1000.01	1331.50.360.01	1581.20.75.01.1
1291.32.100.MX	1320.125.21F	1301.63.1000.01A	1331.50.45.01R	1581.20.75.06.1
1292.16.50	1320.125.22F	1301.63.105.01	1331.50.90.01	1581.20.80.01.1
1292.16.50.M	1320.125.23F	1301.63.125.01	1331.63.130.01R	1581.20.80.07.1

1293.12.15.M	1320.125.25.01	1301.63.125.01A	1331.63.180.01	1581.25.10.01.1
1293.25.40.M	1320.125.250.01	1301.63.13/1F	1331.63.180.01R	1581.25.10.01.2
1300.100.03F	1320.125.250.02	1301.63.13F	1331.63.270.01	1581.25.10.02.1
1300.100.04F	1320.125.25F	1301.63.15.15.L	1331.63.360.01	1581.25.10.06.1
1300.100.05/1F	1320.125.26F	1301.63.150.01	1331.63.360.01R	1581.25.10.07.1
1300.100.05F	1320.125.27F	1301.63.150.01A	1331.63.90.01	1581.25.10.08.1
1300.100.06F	1320.125.28F	1301.63.150.TC.01	1331.80.180.01	1581.25.100.01.1
1300.100.07F	1320.125.29F	1301.63.160.01	1331.80.270.01	1581.25.125.01.1
1300.100.08F	1320.125.300.01	1301.63.160.01A	1331.80.360.01	1581.25.140.01.1
1300.100.09F	1320.125.320.01	1301.63.18F	1331.80.360.01R	1581.25.15.01.1
1300.100.100.01	1320.125.350.01	1301.63.200.01	1331.80.90.01	1581.25.15.01.2
1300.100.100.01.AX	1320.125.35F	1301.63.200.01A	1331.80.90.01R	1581.25.15.02.1
1300.100.100.01A	1320.125.400.01	1301.63.25.01	1332.100.180.01	1581.25.15.04.1
1300.100.100.02	1320.125.450.01	1581.80.80.06.1	6100.20.150.C	1581.25.15.06.1
1300.100.100.02A	1320.125.50.01	1581.80.80.07.1	6100.20.175.B	1581.25.15.07.1
1300.100.100.G	1320.125.500.01	1581.80.80.08.1	6100.20.175.C	1581.25.15.08.1
1300.100.100.TC.01	1320.125.51B	1581.80.90.02.1	6100.20.20.B	1581.25.150.01.1
1300.100.1000.01	1320.125.51BS	1581.HAN	6100.20.20.C	1581.25.150.02.1
1300.100.1000.01A	1320.125.51S	1581.HAP	6100.20.200.B	1581.25.160.01.1
1300.100.1000.01X	1320.125.600.01	1581.U	6100.20.200.C	1581.25.20.01.1
1300.100.1080.01	1320.125.700.01	15814.63.40.08.1	6100.20.30.B	1581.25.20.01.2
1300.100.10F	1320.125.75.01	1582.20.15.02.1	6100.20.30.C	1581.25.20.02.1
1300.100.1100.01	1320.125.80.01	1582.20.25.02.1	6100.20.40.B	1581.25.20.06.1
1300.100.1100.01X	1320.125.800.01	1582.20.32.25.M	6100.20.40.C	1581.25.20.07.1
1300.100.1150.01	1320.125.85.01	1582.20.82.70.B	6100.20.50.B	1581.25.200.01.1
1300.100.11F	1320.125.900.01	1582.25.15.01.2	6100.20.50.C	1581.25.25.01.1
1300.100.1200.01	1320.15	1582.25.150.02.1	6100.20.75.B	1581.25.25.01.2
1300.100.125.01	1320.16	1582.25.20.02.1	6100.20.75.C	1581.25.25.02.1
1300.100.125.01A	1320.160.05/1F	1582.32.150.01.1	6100.25.100.B	1581.25.25.06.1
1300.100.125.02	1320.160.05F	1582.32.25.01.1	6100.25.100.C	1581.25.25.07.1
1300.100.12F	1320.160.11/2F	1582.50.05.01.1	6100.25.125.B	1581.25.25.08.1
1300.100.13/1F	1320.160.12/1F	1582.HAN	6100.25.125.C	1581.25.30.01.1
1300.100.130.01	1320.160.12F	1582.HAP	6100.25.150.B	1581.25.30.02.1
1300.100.1300.01X	1320.160.13F	1582.U	6100.25.150.C	1581.25.30.06.1
1300.100.13F	1320.160.150.01	1591.16.30.02.1	6100.25.175.B	1581.25.30.07.1
1300.100.140.01	1320.160.18F	1591.20.5.01.1	6100.25.175.C	1581.25.30.08.1
1300.100.1400.01	1320.160.19F	1591.25.40.02.1	6100.25.20.B	1581.25.30.10.1F
1300.100.1450.01	1320.160.200.01	1591.25.50.02.1	6100.25.20.C	1581.25.30.15.01.B
1300.100.14F	1320.160.20F	1591.50.25.08.1	6100.25.200.B	1581.25.300.04.1
1300.100.150.01	1320.160.21F	1600.25.01F	6100.25.200.C	1581.25.35.01.1
1300.100.150.01A	1320.160.22F	1600.25.02F	6100.25.30.B	1581.25.35.06.1
1300.100.150.01M	1320.160.250.01	1600.25.03F	6100.25.30.C	1581.25.35.07.1
1300.100.150.02	1320.17	1600.25.05F	6100.25.40.B	1581.25.35.08.1
1300.100.150.TC.01	1320.18	1600.25.05F	6100.25.40.C	1581.25.40.01.1
1300.100.1500.01	1320.19	1600.32.01F	6100.25.50.B	1581.25.40.06.1
1300.100.155.01	1320.20	1600.32.02F	6100.25.50.C	1581.25.40.07.1
1300.100.160.01	1320.200.05/1F	1600.32.03F	6100.25.75.B	1581.25.40.08.1
1300.100.160.01A	1320.200.05F	1600.32.05F	6100.25.75.C	1581.25.45.01.1
1300.100.160.01V	1320.200.11/2F	1600.32.05F	6100.32.100.B	1581.25.45.06.1
1300.100.160.02	1320.200.12/1F	1600.40.01F	6100.32.100.C	1581.25.45.10.B
1300.100.170.01	1320.200.12F	1600.40.02F	6100.32.125.B	1581.25.450.02.1
1300.100.170.01A	1320.200.13F	1600.40.03F	6100.32.125.C	1581.25.5.01.1
1300.100.175.01	1320.200.150.01	1600.40.05F	6100.32.150.B	1581.25.5.01.2

1300.100.1840.01AXTC	1320.200.18F	1600.40.05F	6100.32.150.C	1581.25.5.06.1
1300.100.18F	1320.200.19F	1600.50.01F	6100.32.175.B	1581.25.5.07.1
1300.100.195.01	1320.200.200.01	1600.50.02F	6100.32.175.C	1581.25.5.08.1
1300.100.200.01	1320.200.20F	1600.50.03F	6100.32.200.B	1581.25.50.01.1
1300.100.200.01A	1320.200.21F	1600.63.01F	6100.32.200.C	1581.25.50.02.1
1300.100.200.01M	1320.200.22F	1600.63.02F	6100.32.25.B	1581.25.50.06.1
1300.100.200.TC.01	1320.200.500.01	1600.63.05F	6100.32.25.C	1581.25.50.07.1
1300.100.225.01	1320.21	1600.63.05F	6100.32.50.B	1581.25.55.01.1
1300.100.25.01	1320.22	1600.A	6100.32.50.C	1581.25.6.01.1
1300.100.25.01A	1320.32.05/1F	1600.A.C	6100.32.75.B	1581.25.60.01.1
1300.100.25.25.E	1320.32.05F	1600.D.C	6100.32.75.C	1581.25.60.07.1
1300.100.25.M.01	1320.32.10.01	1600.HAN	6100.40.100.B	1581.25.65.01.1
1300.100.250.01	1320.32.100.01	1600.HAP	6100.40.100.C	1581.25.70.01.1
1300.100.250.01A	1320.32.100.02	1600.HCN	6100.40.125.B	1581.25.70.04.1
1300.100.250.G	1320.32.100.GLB	1600.HCP	6100.40.125.C	1581.25.75.01.1
1300.100.250.TC.01	1320.32.1000.01	1600.U	6100.40.150.B	1581.25.80.01.1
1300.100.270.01	1320.32.1000.GLB	1600.U/1	6100.40.150.C	1581.25.80.04.1
1300.100.275.01	1320.32.12/1F	1601.16.1000	6100.40.175.B	1581.25.85.02.1
1300.100.285.01	1320.32.125.01	1601.16.1200	6100.40.175.C	1581.32.10.01.1
1300.100.30.01	1320.32.125.02	1601.16.1400	6100.40.200.B	1581.32.10.01.2
1300.100.300.01	1320.32.125.GLB	1601.16.1600	6100.40.200.C	1581.32.10.03.1
1300.100.300.01A	1320.32.12F	1601.16.1800	6100.40.25.B	1581.32.10.06.1
1300.100.320.01	1320.32.13/1F	1601.16.200	6100.40.25.C	1581.32.10.07.1
1300.100.320.01A	1320.32.13F	1601.16.2000	6100.40.250.B	1581.32.10.08.1
1300.100.325.01	1320.32.150.01	1601.16.300	6100.40.50.B	1581.32.100.01.1
1300.100.335.01	1320.32.150.GLB	1601.16.400	6100.40.50.C	1581.32.125.01.1
1300.100.340.M.01	1320.32.160.01	1601.16.400.M	6100.40.75.B	1581.32.15.01.1
1300.100.350.01	1320.32.175.GLB	1601.16.500	6100.40.75.C	1581.32.15.01.2
1300.100.350.01A	1320.32.17F	1601.16.600	6100.50.100.B	1581.32.15.06.1
1300.100.370.75.1E.AX	1320.32.18F	1601.16.700	6100.50.100.C	1581.32.15.07
1300.100.370.75.E	1320.32.18FX	1601.16.800	6100.50.125.B	1581.32.15.07.1
1300.100.380.01	1320.32.19F	1601.16.900	6100.50.125.C	1581.32.15.08.1
1300.100.380.01A	1320.32.20.01	1601.25.1000	6100.50.150.B	1581.32.150.01.1
1300.100.40.01	1320.32.200.01	1601.25.1200	6100.50.150.C	1581.32.160.01.1
1300.100.400.01	1320.32.200.GLB	1601.25.1250	6100.50.175.B	1581.32.20.01.1
1300.100.400.01A	1320.32.20F	1601.25.1250.M	6100.50.175.C	1581.32.20.01.2
1300.100.400.TC.01	1320.32.21F	1601.25.1400	6100.50.200.B	1581.32.20.02.1
1300.100.430.01	1320.32.22F	1601.25.1400.M	6100.50.200.C	1581.32.20.02.2
1300.100.450.01	1320.32.23F	1601.25.1500	6100.50.25.B	1581.32.20.04.1
1300.100.450.01A	1320.32.25.01	1601.25.1600	6100.50.25.C	1581.32.20.06.1
1300.100.475.01	1320.32.25.GLB	1601.25.1700.M	6100.50.50.B	1581.32.20.07.1
1300.100.50.01	1320.32.250.01	1601.25.1800	6100.50.50.C	1581.32.20.08.1
1300.100.50.01A	1320.32.250.GLB	1601.25.200	6100.50.75.B	1581.32.200.01.1
1300.100.50.01V	1320.32.25F	1601.25.2000	6100.50.75.C	1581.32.230.01.1
1300.100.500.01	1320.32.26F	1601.25.300	6100.63.100.B	1581.32.25.01.1
1300.100.500.01A	1320.32.27F	1601.25.400	6100.63.100.C	1581.32.25.01.2
1300.100.550.01A	1320.32.29F	1601.25.500	6100.63.125.B	1581.32.25.02.1
1300.100.60.01	1320.32.30.01	1601.25.600	6100.63.125.C	1581.32.25.06.1
1300.100.600.01	1320.32.300.01	1601.25.700	6100.63.150.B	1581.32.25.07.1
1300.100.600.01A	1320.32.300.GLB	1601.25.800	6100.63.150.C	1581.32.25.08.1
1300.100.625.01	1320.32.320.01	1601.25.900	6100.63.175.B	1581.32.25.25.1N
1300.100.650.01	1320.32.320.GLB	1601.40.3400	6100.63.175.C	1581.32.250.01.1
1300.100.70.01	1320.32.350.01	1605.25.100.01.M	6100.63.200.B	1581.32.30.01.1



1300.100.700.01	1320.32.350.GLB	1605.25.100.01.MG	6100.63.200.C	1581.32.30.06.1
1300.100.700.01A	1320.32.40.02	1605.25.1000.01.M	6100.63.25.B	1581.32.30.07.1
1300.100.75.01	1320.32.400.01	1605.25.1000.02.M	6100.63.25.C	1581.32.30.08.1
1300.100.75.01A	1320.32.400.GLB	1605.25.1000.02.MH	6100.63.300.B	1581.32.300.01.1
1300.100.80.01	1320.32.420.01	1605.25.1000.03.M	6100.63.50.B	1581.32.35.01.1
1300.100.80.01A	1320.32.450.01	1605.25.1050.01.M	6100.63.50.C	1581.32.35.06.1
1300.100.800.01	1320.32.50.01	1605.25.1100.01.M	6100.63.75.B	1581.32.35.07.1
1300.100.800.01A	1320.32.50.02	1605.25.1200.01.M	6100.63.75.C	1581.32.35.08.1
1300.100.900.01	1320.32.50.GLB	1605.25.1200.02.M	6200.10.10.B	1581.32.35.25.M
1300.100.900.01A	1320.32.500.01	1605.25.1200.03.M	6200.10.10.C	1581.32.40.01.1
1300.125.03F	1320.32.500.02	1605.25.1300.01.M	6200.10.15.B	1581.32.40.03.1
1300.125.06F	1320.32.500.GLB	1605.25.1390.02.M	6200.10.15.C	1581.32.40.06.1
1300.125.09F	1320.32.51B	1605.25.1400.01.M	6200.10.20.B	1581.32.40.07.1
1300.125.100.01	1320.32.51BS	1605.25.1450.02.MH	6200.10.20.C	1581.32.40.08.1
1300.125.1000.01	1320.32.51S	1605.25.150.01.M	6200.10.25.B	1581.32.45.01.1
1300.125.10F	1320.32.60.01	1605.25.150.01.MH	6200.10.25.C	1581.32.45.06.1
1300.125.11F	1320.32.60.GLB	1605.25.1500.01.M	6200.10.30.B	1581.32.45.07.1
1300.125.125.01	1320.32.600.01	1605.25.1500.01.MH	6200.10.30.C	1581.32.45.08.1
1300.125.125.01A	1320.32.630.01	1605.25.1600.01.M	6200.10.35.B	1581.32.5.01.1
1300.125.12F	1320.32.70.01	1605.25.1600.01.MH	6200.10.35.C	1581.32.5.01.2
1300.125.13/1F	1320.32.70.GLB	1605.25.1620.01.MH	6200.10.40.B	1581.32.5.06.1
1300.125.13F	1320.32.700.01	1605.25.1620.02.MH	6200.10.40.C	1581.32.5.07.1
1300.125.140.01	1320.32.700.GLB	1605.25.1700.01.M	6200.10.45.B	1581.32.5.08.1
1300.125.14F	1320.32.75.01	1605.25.1800.01.M	6200.10.45.C	1581.32.50.01.1
1300.125.150.01	1320.32.75.GLB	1605.25.1800.02.M	6200.10.50.B	1581.32.50.02.1
1300.125.150.02	1320.32.750.01	1605.25.200.01.M	6200.10.50.C	1581.32.50.06.1
1300.125.160.01	1320.32.80.01	1605.25.200.01.MH	6200.10.60.B	1581.32.50.07.1
1300.125.170.01	1320.32.80.02	1605.25.200.02.M	6200.10.60.C	1581.32.50.08.1
1300.125.18F	1320.32.800.01	1605.25.2000.01.M	6200.10.70.B	1581.32.55.01.1
1300.125.200.01	1320.32.900.01	1605.25.2130.01.M	6200.10.70.C	1581.32.55.07.1
1300.125.200.01A	1320.32.920.01	1605.25.2150.01.M	6200.10.75.B	1581.32.55.08.1
1300.125.225.M.TC.01	1320.40.05/1F	1605.25.2345.02.MH	6200.10.75.C	1581.32.60.01.1
1300.125.25.01	1320.40.05F	1605.25.250.01.M	6200.15.10.B	1581.32.60.07.1
1300.125.250.01	1320.40.100.01	1605.25.250.01.MG	6200.15.10.C	1581.32.60.08.1
1300.125.250.01A	1320.40.100.GLB	1605.25.250.01.MH	6200.15.100.B	1581.32.65.01.1
1300.125.300.01	1320.40.1000.01	1605.25.280.01.MG	6200.15.100.C	1581.32.65.07.1
1300.125.300.01X	1320.40.1100.01	1605.25.300.01.M	6200.15.15.B	1581.32.65.08.1
1300.125.320.01	1320.40.12/1F	1605.25.300.01.MG	6200.15.15.C	1581.32.70.07.1
1300.125.320.01X	1320.40.125.01	1605.25.300.01.MH	6200.15.20.B	1581.32.70.08.1
1300.125.350.01	1320.40.125.GLB	1605.25.3000.01.MH	6200.15.20.C	1581.32.75.07.1
1300.125.400.01	1320.40.12F	1605.25.3200.01.MH	6200.15.25.B	1581.32.75.08.1
1300.125.450.01	1320.40.13/1F	1605.25.350.01.M	6200.15.25.C	1581.32.80.07.1
1300.125.480.01A	1320.40.130.130.E	1605.25.375.01.M	6200.15.30.B	1581.32.80.08.1
1300.125.50.01	1320.40.150.01	1605.25.400.01.M	6200.15.30.C	1581.32.85.35.F
1300.125.50.G	1320.40.150.GLB	1605.25.420.01.M	6200.15.35.B	1581.40.10.01.1
1300.125.500.01	1320.40.1500.GLB	1605.25.450.01.MH	6200.15.35.C	1581.40.10.01.2
1300.125.59.01	1320.40.160.01	1605.25.500.01.M	6200.15.40.B	1581.40.10.01.3
1300.125.600.01	1320.40.1650.01	1605.25.500.01.MH	6200.15.40.C	1581.40.10.03.1
1300.125.700.01	1320.40.175.GLB	1605.25.500.02.M	6200.15.45.B	1581.40.10.06.1
1300.125.75.01	1320.40.17F	1605.25.525.01.M	6200.15.45.C	1581.40.10.07.1
1300.125.80.01	1320.40.185.01	1605.25.580.01.MH	6200.15.50.B	1581.40.10.08.1
1300.125.800.01	1320.40.18F	1605.25.600.01.M	6200.15.50.C	1581.40.100.03.1
1300.125.900.01	1320.40.18FX	1605.25.600.01.MH	6200.15.60.B	1581.40.100.04.1

1300.125.900.01A	1320.40.19F	1605.25.600.02.M	6200.15.60.C	1581.40.125.01.1
1300.1400.01	1320.40.20.GLB	1605.25.600.03.M	6200.15.70.B	1581.40.125.03.1
1300.160.04F	1320.40.200.01	1605.25.625.01.M	6200.15.70.C	1581.40.125.04.1
1300.160.05F	1320.40.200.GLB	1605.25.630.01.M	6200.15.75.B	1581.40.15.01.2
1300.160.08F	1320.40.20F	1605.25.650.01.M	6200.15.75.C	1581.40.15.02.1
1300.160.09F	1320.40.210.01	1605.25.700.01.M	6200.15.80.B	1581.40.15.06.1
1300.160.100.01	1320.40.21F	1605.25.700.03.M	6200.15.80.C	1581.40.15.07.1
1300.160.1000.01	1320.40.225.GLB	1605.25.750.01.M	6200.15.90.B	1581.40.15.08.1
1300.160.10F	1320.40.22F	1605.25.750.02.MH	6200.15.90.C	1581.40.150.03.1
1300.160.110.01	1320.40.2300.01	1605.25.750.03.MH	6200.20.10.B	1581.40.150.04.1
1300.160.11F	1320.40.23F	1605.25.800.01.M	6200.20.10.C	1581.40.20.01.2
1300.160.125.01	1320.40.240.01	1605.25.900.01.M	6200.20.100.B	1581.40.20.02.1
1300.160.12F	1320.40.25.01	1605.25.900.01.MH	6200.20.100.C	1581.40.20.06.1
1300.160.1300.01	1320.40.25.GLB	1605.32.100.01.MH	6200.20.15.B	1581.40.20.07.1
1300.160.1325.01	1320.40.250.01	1605.32.1000.01.M	6200.20.15.C	1581.40.20.08.1
1300.160.13F	1320.40.250.GLB	1605.32.1000.01.MH	6200.20.20.B	1581.40.25.01.2
1300.160.14F	1320.40.25F	1605.32.1050.01.M	6200.20.20.C	1581.40.25.06.1
1300.160.150.01	1320.40.26F	1605.32.1060.01.M	6200.20.25.B	1581.40.25.07.1
1300.160.160.01	1320.40.2750.01	1605.32.1065.02.M	6200.20.25.C	1581.40.25.08.1
1300.160.18F	1320.40.27F	1605.32.1100.01.M	6200.20.30.B	1581.40.30.06.1
1300.160.200.01	1320.40.29F	1605.32.120.01.M	6200.20.30.C	1581.40.30.07.1
1300.160.25.01	1320.40.30.01	1605.32.1200.01.M	6200.20.35.B	1581.40.30.08.1
1300.160.250.01	1320.40.300.01	1605.32.1250.03.M	6200.20.35.C	1581.40.35.06.1
1300.160.250.01V	1320.40.300.GLB	1605.32.1300.01.M	6200.20.40.B	1581.40.35.07.1
1300.160.260.TC.01	1320.40.320.01	1605.32.1300.03.M	6200.20.40.C	1581.40.35.08.1
1300.160.280.01	1320.40.320.GLB	1605.32.1350.01.M	6200.20.45.B	1581.40.40.03.1
1300.160.300.01	1320.40.350.01	1605.32.1400.01.M	6200.20.45.C	1581.40.40.06.1
1300.160.320.01	1320.40.350.GLB	1605.32.1450.01.MH	6200.20.50.B	1581.40.40.07.1
1300.160.325.01	1320.40.390.01	1605.32.150.01.M	6200.20.50.C	1581.40.40.08.1
1300.160.330.01	1320.40.40.01	1605.32.1500.01.M	6200.20.60.B	1581.40.45.06.1
1300.160.350.01	1320.40.40.GLB	1605.32.160.01.M	6200.20.60.C	1581.40.45.07.1
1300.160.400.01	1320.40.400.01	1605.32.160.01.MG	6200.20.70.B	1581.40.45.08.1
1300.160.400.TC.01X	1320.40.400.GLB	1605.32.1600.01.M	6200.20.70.C	1581.40.5.01.2
1300.160.450.01	1320.40.450.01	1605.32.1700.01.M	6200.20.75.B	1581.40.5.06.1
1300.160.50.01	1320.40.50.01	1605.32.1800.01.M	6200.20.75.C	1581.40.5.07.1
1300.160.500.01	1320.40.50.GLB	1605.32.1800.02.M	6200.20.80.B	1581.40.5.08.1
1300.160.60.01	1320.40.500.01	1605.32.1890.01.M	6200.20.80.C	1581.40.50.02.1
1300.160.600.01	1320.40.500.GLB	1605.32.1890.01.MH	6200.20.90.B	1581.40.50.06.1
1300.160.600.TC.01	1320.40.51B	1605.32.190.01.M	6200.20.90.C	1581.40.50.07.1
1300.160.650.01	1320.40.51BS	1605.32.1920.01.M	6200.25.10.B	1581.40.50.08.1
1300.160.70.01	1320.40.51S	1605.32.200.01.M	6200.25.10.C	1581.40.55.07.1
1300.160.700.01	1320.40.550.GLB	1605.32.2000.01.M	6200.25.100.B	1581.40.55.08.1
1300.160.700.TC.01	1320.40.600.01	1605.32.2010.03.M	6200.25.100.C	1581.40.60.07.1
1300.160.75.01	1320.40.600.GLB	1605.32.2050.01.M	6200.25.15.B	1581.40.60.08.1
1300.160.80.01	1320.40.65.02	1605.32.250.01.M	6200.25.15.C	1581.40.65.07.1
1300.160.800.01	1320.40.65.GLB	1605.32.250.01.MH	6200.25.20.B	1581.40.65.08.1
1300.160.85.01	1320.40.700.01	1605.32.250.03.M	6200.25.20.C	1581.40.70.07.1
1300.160.900.01	1320.40.700.GLB	1605.32.2500.01.M	6200.25.25.B	1581.40.70.08.1
1300.160.950.01	1320.40.75.01	1605.32.2650.01.M	6200.25.25.C	1581.40.75.01.1
1300.200.03F	1320.40.75.GLB	1605.32.2700.01.M	6200.25.30.B	1581.40.75.07.1
1300.200.06F	1320.40.750.01	1605.32.2750.01.M	6200.25.30.C	1581.40.75.08.1
1300.200.09F	1320.40.750.GLB	1605.32.2750.01.MH	6200.25.35.B	1581.40.80.02.1
1300.200.100.01	1320.40.785.01	1605.32.280.01.M	6200.25.35.C	1581.40.80.07.1

1300.200.1000.01	1320.40.80.01	1605.32.300.01.M	6200.25.40.B	1581.40.80.08.1
1300.200.10F	1320.40.80.GLB	1605.32.3000.01.MH	6200.25.40.C	1581.50.10.01.2
1300.200.11F	1320.40.800.01	1605.32.315.03.MH	6200.25.45.B	1581.50.10.02.1
1300.200.125.01	1320.40.900.01	1605.32.325.01.M	6200.25.45.C	1581.50.10.06.1
1300.200.12F	1320.50.05/1F	1605.32.350.01.MG	6200.25.50.B	1581.50.10.07.1
1300.200.13F	1320.50.05F	1605.32.350.01.MH	6200.25.50.C	1581.50.10.08.1
1300.200.14F	1320.50.10.GLB	1605.32.380.01.M	6200.25.60.B	1581.50.100.02.1
1300.200.150.01	1320.50.100.01	1605.32.400.01.M	6200.25.60.C	1581.50.125.02.1
1300.200.160.01	1320.50.100.GLB	1605.32.400.01.MH	6200.25.70.B	1581.50.15.01.2
1300.200.1800.01	1320.50.1000.01	1605.32.430.01.M	6200.25.70.C	1581.50.15.02.1
1300.200.18F	1320.50.1050.01	1605.32.435.01.MG	6200.25.75.B	1581.50.15.06.1
1300.200.200.01	1320.50.12/1F	1605.32.450.01.M	6200.25.75.C	1581.50.15.07.1
1300.200.2000.01	1320.50.125.01	1605.32.450.02.M	6200.25.80.B	1581.50.15.08.1
1300.200.2000.01X	1320.50.125.GLB	1605.32.460.01.MH	6200.25.80.C	1581.50.20.01.2
1300.200.225.01	1320.50.12F	1605.32.50.01.M	6200.25.90.B	1581.50.20.06.1
1300.200.25.01	1320.50.13/1F	1605.32.500.01.M	6200.25.90.C	1581.50.20.07.1
1300.200.250.01	1320.50.13F	1605.32.500.01.MG	6200.32.10.B	1581.50.20.08.1
1300.200.300.01	1320.50.140.01	1605.32.500.01.MH	6200.32.10.C	1581.50.25.01.2
1300.200.300.TC.01	1320.50.150.01	1605.32.500.03.MH	6200.32.100.B	1581.50.25.03.1
1300.200.300.TC.01A	1320.50.150.GLB	1605.32.540.01.MH	6200.32.100.C	1581.50.25.06.1
1300.200.320.01	1320.50.160.01	1605.32.550.01.M	6200.32.15.B	1581.50.25.07.1
1300.200.350.01	1320.50.175.GLB	1605.32.600.01.M	6200.32.15.C	1581.50.25.08.1
1300.200.400.01	1320.50.1750.01	1605.32.600.01.MH	6200.32.20.B	1581.50.30.02.1
1300.200.450.01	1320.50.17F	1605.32.625.01.M	6200.32.20.C	1581.50.30.06.1
1300.200.50.01	1320.50.18F	1605.32.650.01.M	6200.32.25.B	1581.50.30.07.1
1300.200.500.01	1320.50.18FX	1605.32.700.01.M	6200.32.25.C	1581.50.30.08.1
1300.200.600.01	1320.50.19F	1605.32.700.01.MG	6200.32.30.B	1581.50.35.06.1
1300.200.600.TC.01	1320.50.200.01	1605.32.700.01.MH	6200.32.30.C	1581.50.35.07.1
1300.200.675.01	1320.50.200.GLB	1605.32.700.02.M	6200.32.35.B	1581.50.35.08.1
1300.200.700.01	1320.50.20F	1605.32.750.01.M	6200.32.35.C	1581.50.40.06.1
1300.200.75.01	1320.50.210.01	1605.32.750.01.MH	6200.32.40.B	1581.50.40.07.1
1300.200.80.01	1320.50.21F	1605.32.770.01.M	6200.32.40.C	1581.50.40.08.1
1300.200.800.01	1320.50.22F	1605.32.800.01.M	6200.32.45.B	1581.50.45.06.1
1300.200.900.01	1320.50.23F	1605.32.900.01.M	6200.32.45.C	1581.50.45.07.1
1300.32.03F	1320.50.25.01	1605.32.960.01.MH	6200.32.50.B	1581.50.45.08.1
1300.32.04F	1320.50.25.GLB	1605.40.1000.01.M	6200.32.50.C	1581.50.5.01.2
1300.32.05/1F	1320.50.250.01	1605.40.1000.01.MG	6200.32.60.B	1581.50.5.06.1
1300.32.05F	1320.50.250.GLB	1605.40.1000.01.MH	6200.32.60.C	1581.50.5.07.1
1300.32.06F	1320.50.25F	1605.40.1000.MG	6200.32.70.B	1581.50.5.08.1
1300.32.07F	1320.50.26F	1605.40.1065.01.M	6200.32.70.C	1581.50.50.06.1
1300.32.08F	1320.50.27F	1605.40.1140.01.MH	6200.32.75.B	1581.50.50.07.1
1300.32.09F	1320.50.29F	1605.40.1200.01.M	6200.32.75.C	1581.50.50.08.1
1300.32.100.01	1320.50.300.01	1605.40.1200.01.MG	6200.32.80.B	1581.50.55.06.1
1300.32.100.01A	1320.50.300.GLB	1605.40.1200.01.MH	6200.32.80.C	1581.50.55.07.1
1300.32.100.01AX	1320.50.320.01	1605.40.1270.01.M	6200.32.90.B	1581.50.55.08.1
1300.32.100.01MA	1320.50.350.01	1605.40.1280.01.M	6200.32.90.C	1581.50.60.06.1
1300.32.100.25.E	1320.50.350.GLB	1605.40.1300.01.M	6210.10.100.C	1581.50.60.07.1
1300.32.100.M.01	1320.50.35F	1605.40.1300.01.MG	6210.10.100.P	1581.50.60.08.1
1300.32.100.TC.01	1320.50.40.02	1605.40.1300.02.M	6210.10.25.C	1581.50.65.06.1
1300.32.1000.01	1320.50.400.01	1605.40.1300.03.M	6210.10.25.P	1581.50.65.07.1
1300.32.1000.01A	1320.50.400.GLB	1605.40.1340.01.M	6210.10.50.C	1581.50.65.08.1
1300.32.10F	1320.50.450.01	1605.40.1400.01.M	6210.10.50.P	1581.50.70.06.1
1300.32.110.01	1320.50.450.GLB	1605.40.1450.01.M	6210.10.75.C	1581.50.70.07.1

1300.32.11F	1320.50.50.01	1605.40.1500.01.M	6210.10.75.P	1581.50.70.08.1
1300.32.125.01	1320.50.500.01	1605.40.1500.01.MG	6210.15.100.C	1581.50.75.06.1
1300.32.125.01A	1320.50.500.GLB	1605.40.1500.01.MH	6210.15.100.P	1581.50.75.07.1
1300.32.1250.01	1320.50.51B	1605.40.1600.01.M	6210.15.125.C	1581.50.75.08.1
1300.32.12F	1320.50.51BS	1605.40.1600.01.MG	6210.15.125.P	1581.50.75.10.A
1300.32.13/1F	1320.50.51S	1605.40.1800.01.M	6210.15.150.C	1581.50.80.07.1
1300.32.130.01	1320.50.600.01	1605.40.1950.01.MH	6210.15.150.P	1581.50.80.10.E
1300.32.13F	1320.50.600.GLB	1605.40.200.01.M	6210.15.175.C	1581.50.90.01.1
1300.32.140.01	1320.50.700.01	1605.40.2000.01.M	6210.15.175.P	1581.63.10.01.2
1300.32.14F	1320.50.700.GLB	1605.40.250.01.M	6210.15.200.C	1581.63.10.06.1
1300.32.15.01	1320.50.75.01	1605.40.250.03.M	6210.15.200.P	1581.63.10.07.1
1300.32.15.01.T	1320.50.80.01	1605.40.2500.01.MH	6210.15.25.C	1581.63.10.08.1
1300.32.15.01A	1320.50.800.01	1605.40.2570.01.M	6210.15.25.P	1581.63.15.01.2
1300.32.15.01V	1320.50.800.GLB	1605.40.2800.01.M	6210.15.50.C	1581.63.15.06.1
1300.32.150.01	1320.50.900.01	1605.40.300.01.M	6210.15.50.P	1581.63.15.07.1
1300.32.150.01A	1320.63.05/1F	1605.40.3000.01.MH	6210.15.75.C	1581.63.15.08.1
1300.32.150.M.01	1320.63.05F	1605.40.330.01.M	6210.15.75.P	1581.63.150.02.1
1300.32.150.TC.01	1320.63.100.01	1605.40.3400.01.M	6210.25.100.C	1581.63.20.01.2
1300.32.1500.01	1320.63.100.GLB	1605.40.350.01.M	6210.25.100.P	1581.63.20.06.1
1300.32.160.01	1320.63.1000.01	1605.40.390.01.M	6210.25.125.C	1581.63.20.07.1
1300.32.160.01A	1320.63.1000.GLB	1605.40.400.01.M	6210.25.125.P	1581.63.20.08.1
1300.32.175.01	1320.63.105.01	1605.40.400.01.MG	6210.25.150.C	1581.63.25.01.2
1300.32.18F	1320.63.115.01	1605.40.400.01.MH	6210.25.150.P	1581.63.25.02.1
1300.32.20.01M	1320.63.12/1F	1605.40.400.02.M	6210.25.175.C	1581.63.25.06.1
1300.32.200.01	1320.63.1200.01	1605.40.425.01.M	6210.25.175.P	1581.63.25.07.1
1300.32.200.01A	1320.63.1200.GLB	1605.40.430.01.M	6210.25.200.C	1581.63.25.08.1
1300.32.210.01X	1320.63.125.01	1605.40.450.01.M	6210.25.200.P	1581.63.30.06.1
1300.32.25.01	1320.63.125.GLB	1605.40.450.01.MH	6210.25.25.C	1581.63.30.07.1
1300.32.25.01A	1320.63.12F	1605.40.455.01.M	6210.25.25.P	1581.63.30.08.1
1300.32.25.01MA	1320.63.13/1F	1605.40.460.01.M	6210.25.50.C	1581.63.35.06.1
1300.32.25.01V	1320.63.13F	1605.40.50.01.M	6210.25.50.P	1581.63.35.07.1
1300.32.25.02	1320.63.150.01	1605.40.500.01.M	6210.25.75.C	1581.63.35.08.1
1300.32.25.M.01	1320.63.150.GLB	1605.40.500.01.MG	6210.25.75.P	1581.63.40.06.1
1300.32.250.01	1320.63.160.01	1605.40.500.01.MH	6301.10.D	1581.63.40.07.1
1300.32.250.01A	1320.63.170.01	1605.40.530.01.M	6301.10.S	1581.63.40.08.1
1300.32.275.01	1320.63.17F	1605.40.575.01.M	6301.16.D	1581.63.45.06.1
1300.32.30.01	1320.63.18F	1605.40.600.01.M	6301.16.S	1581.63.45.07.1
1300.32.30.01MAX	1320.63.19F	1605.40.600.01.MG	6301.20.D	1581.63.45.08.1
1300.32.300.01	1320.63.200.01	1605.40.610.01.M	6301.20.S	1581.63.5.01.2
1300.32.300.01A	1320.63.200.GLB	1605.40.650.01.MH	6301.25.D	1581.63.5.06.1
1300.32.300.M.TC.01	1320.63.20F	1605.40.665.01.M	6301.25.S	1581.63.5.07.1
1300.32.320.01	1320.63.21F	1605.40.700.01.M	6302.10.D	1581.63.5.08.1
1300.32.320.01A	1320.63.22F	1605.40.700.01.MG	6302.16.D	1581.63.50.02.1
1300.32.330.01	1320.63.23F	1605.40.700.01.MH	6302.20.D	1581.63.50.06.1
1300.32.340.01	1320.63.25.01	1605.40.700.02.M	6302.25.D	1581.63.50.07.1
1300.32.350.01	1320.63.250.01	1605.40.750.01.M	6303.20.D.F	1581.63.50.08.1
1300.32.350.01A	1320.63.250.GLB	1605.40.750.01.MH	6303.20.D.L	1581.63.55.06.1
1300.32.350.TC.01	1320.63.25F	1605.40.760.01.M	6303.25.D.F	1581.63.55.07.1
1300.32.40.01	1320.63.26F	1605.40.790.01.MH	6303.25.D.L	1581.63.55.08.1
1300.32.40.01MP	1320.63.27F	1605.40.800.01.M	6303.32.D.F	1581.63.60.06.1
1300.32.40.13F	1320.63.29F	1605.40.800.01.MH	6303.32.D.L	1581.63.60.07.1
1300.32.40.TC.01	1320.63.300.01	1605.40.835.01.M	6303.40.D.F	1581.63.60.08.1
1300.32.400.01	1320.63.300.GLB	1605.40.900.01.M	6303.40.D.L	1581.63.65.06.1

1300.32.400.01A	1320.63.320.01	1605.40.900.01.MG	6303.50.D.F	1581.63.65.07.1
1300.32.400.M.01	1320.63.350.01	1605.50.1000.01.M	6303.50.D.L	1581.63.65.08.1
1300.32.450.01	1320.63.350.GLB	1605.50.1050.01.M	6310.10.D	1581.63.70.02.1
1300.32.450.01A	1320.63.40.01	1605.50.1100.01.M	6310.10.NC	1581.63.70.06.1
1300.32.460.01	1320.63.400.01	1605.50.1200.01.M	6310.10.NO	1581.63.70.07.1
1300.32.50.01	1320.63.450.01	1605.50.1200.02.M	6310.16.D	1581.63.70.08.1
1300.32.50.01A	1320.63.50.01	1605.50.1300.01.M	6310.16.NC	1581.63.75.06.1
1300.32.50.M.01	1320.63.500.01	1605.50.1400.01.M	6310.16.NO	1581.63.75.07.1
1300.32.50.TC.01	1320.63.500.GLB	1605.50.1500.01.M	6310.20.D	1581.63.75.08.1
1300.32.500.01	1320.63.51B	1605.50.1600.01.M	6310.20.NC	1581.63.80.02.1
1300.32.500.01.M	1320.63.51BS	1605.50.1630.01.M	6310.20.NO	1581.63.80.07.1
1300.32.500.01A	1320.63.51S	1605.50.175.01.M	6310.25.D	1581.63.80.08.1
1300.32.570.01	1320.63.520.01	1605.50.1800.01.M	6310.25.NC	1581.80.10.01.1
1300.32.60.01	1320.63.585.01	1605.50.200.01.M	6310.25.NO	1581.80.10.01.2
1300.32.60.02	1320.63.600.01	1605.50.2000.01.M	6311.10.D	1581.80.10.06.1
1300.32.60.TC.01	1320.63.65.02	1605.50.300.01.M	6311.10.D1	1581.80.10.07.1
1300.32.60.TC.01X	1320.63.650.01	1605.50.300.01.MH	6311.10.D2	1581.80.10.08.1
1300.32.600.01	1320.63.70.01	1605.50.330.01.M	6311.16.D	1581.80.100.02.1
1300.32.600.01A	1320.63.700.01	1605.50.350.01.M	6311.16.D.1	1581.80.15.01.2
1300.32.65.01	1320.63.75.01	1605.50.400.01.M	6311.16.D.2	1581.80.15.06.1
1300.32.70.01	1320.63.75.01MA	1605.50.4000.MH	6311.20.D	1581.80.15.07.1
1300.32.700.01	1320.63.75.GLB	1605.50.4100.01.M	6311.20.D.1	1581.80.15.08.1
1300.32.700.01A	1320.63.80.01	1605.50.500.01.M	6311.20.D.2	1581.80.150.02.1
1300.32.75.01	1320.63.800.01	1605.50.530.01.M	6311.25.D	1581.80.20.01.2
1300.32.75.01A	1320.63.85.01	1605.50.545.01.M	6311.25.D.1	1581.80.20.06.1
1300.32.75.02.TC	1320.63.900.01	1605.50.550.01.M	6311.25.D.2	1581.80.20.07.1
1300.32.75.50.F	1320.80.05/1F	1605.50.600.01.M	6311.32.D	1581.80.20.08.1
1300.32.75.M.01	1320.80.05F	1605.50.620.01.M	6311.32.D.1	1581.80.25.01.2
1300.32.750.01	1320.80.100.01	1605.50.650.01.M	6311.32.D.2	1581.80.25.06.1
1300.32.8.01	1320.80.100.GLB	1605.50.660.01.M	6311.40.D	1581.80.25.07.1
1300.32.80.01	1320.80.1000.01	1605.50.700.01.M	6311.40.D.1	1581.80.25.08.1
1300.32.80.01A	1320.80.1125.01	1605.50.720.01.M	6311.40.D.2	1581.80.30.06.1
1300.32.800.01	1320.80.12/1F	1605.50.800.01.M	6312.100.D	1581.80.30.07.1
1300.32.800.01A	1320.80.125.01	1605.50.850.01.M	6312.125.D	1581.80.30.08.1
1300.32.85.01	1320.80.12F	1605.50.900.01.M	6312.16.D	1581.80.35.06.1
1300.32.900.01	1320.80.13/1F	1605.63.1000.01.M	6312.20.D	1581.80.35.07.1
1300.32.900.01A	1320.80.13F	1605.63.1050.01.M	6312.25.D	1581.80.35.08.1
1300.40.03F	1320.80.150.01	1605.63.1150.01.M	6312.32.D	1581.80.40.06.1
1300.40.04F	1320.80.150.150.E	1605.63.1200.01.M	6312.40.D	1581.80.40.07.1
1300.40.05/1F	1320.80.150.GLB	1605.63.1300.01.M	6312.50.D	1581.80.40.08.1
1300.40.05F	1320.80.160.01	1605.63.1350.01.M	6312.63.D	1581.80.45.06.1
1300.40.06F	1320.80.170.01	1605.63.1400.01.M	6312.80.D	1581.80.45.07.1
1300.40.07F	1320.80.175.01	1605.63.1450.01.M	6400.10.A	1581.80.45.08.1
1300.40.08F	1320.80.17F	1605.63.1500.01.M	6400.10.P	1581.80.5.01.2
1300.40.09F	1320.80.18F	1605.63.1600.01.M	6400.10.R	1581.80.5.06.1
1300.40.10.01	1320.80.18FX	1605.63.1650.01.M	6400.10.S	1581.80.5.07.1
1300.40.100.01	1320.80.19F	1605.63.1800.01.M	6400.100.A	1581.80.5.08.1
1300.40.100.01A	1320.80.200.01	1605.63.200.01.M	6400.100.R	1581.80.50.02.1
1300.40.100.01AX	1320.80.200.GLB	1605.63.2000.01.M	6400.100.S	1581.80.50.06.1
1300.40.100.100.E	1320.80.20F	1605.63.2500.02.M	6400.200.A	1581.80.50.07.1
1300.40.100.TC.01	1320.80.21F	1605.63.2800.01.M	6400.200.R	1581.80.50.08.1
1300.40.1000.01	1320.80.22F	1605.63.300.01.M	6400.200.S	1581.80.55.06.1
1300.40.1000.01A	1320.80.23F	1605.63.400.01.M	6400.30	1581.80.55.07.1

1300.40.1035.01	1320.80.25.01	1605.63.400.02.M	6400.30.A	1581.80.55.08.1
1300.40.10F	1320.80.250.01	1605.63.400.03.M	6400.30.P	1581.80.60.06.1
1300.40.110.01	1320.80.250.GLB	1605.63.500.01.M	6400.30.R	1581.80.60.07.1
1300.40.110.02	1320.80.25F	1605.63.600.01.M	6400.30.S	1581.80.60.08.1
1300.40.1100.01	1320.80.260.01	1605.63.700.01.M	6400.50.A	1581.80.65.06.1
1300.40.11F	1320.80.26F	1605.63.800.01.M	6400.50.R	1581.80.65.07.1
1300.40.1200.01	1320.80.27F	1605.63.850.01.M	6400.50.S	1581.80.65.08.1
1300.40.125.01	1320.80.29F	1605.63.900.01.M	6410.100.90	1581.80.70.06.1
1300.40.125.01A	1320.80.300.01	1605.63.950.01.M	6410.50.180	1581.80.70.07.1
1300.40.12F	1320.80.300.GLB	6100.20.100.B	6410.50.90	1581.80.70.08.1
1300.40.13/1F	1320.80.320.01	6100.20.100.C	6410.63.180	1581.80.75.06.1
1300.40.1300.01	1320.80.350.01	6100.20.125.B	6410.63.90	1581.80.75.07.1
1300.40.140.01	1320.80.350.GLB	6100.20.125.C	6410.80.180	1581.80.75.08.1
1300.40.145.01A	1320.80.370.75.E	6100.20.150.B	6410.80.90	1581.80.80.02.1
			6425A0007	
			6425A00221	
			6425A00222	
			6425A00231	
			6425A00232	
			6425A00301	